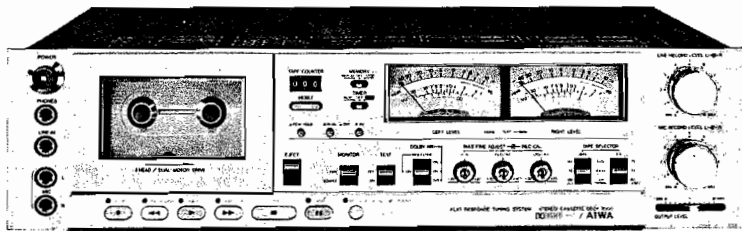


STEREO CASSETTE DECK WITH DOLBY NR SYSTEM

MODEL NO. AD-6900E, K, G

AIWA®

[SERVICE MANUAL]



DATE OF ISSUE 9/1978

SPECIFICATIONS

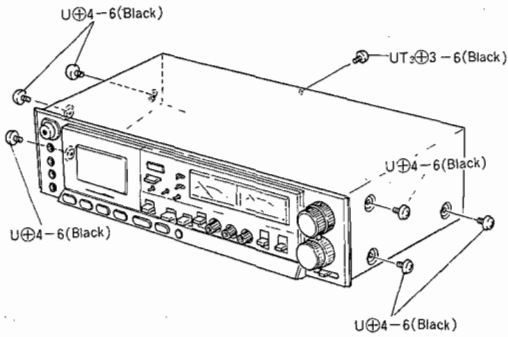
Semiconductors:	13 IC's, 171 transistors, 82 diodes, 12 FET's & 6 LED's	Frequency response:	LH type, 20~16 kHz 25~14 kHz (+2 -3 dB)
Power source:	AC 110~120V/220V/240V (E model) AC 120V/240V (K, G model) (switchable) 50/60 Hz, 50Hz		Fe-Cr tape, 20~20 kHz 25~18 kHz (+2 -3 dB)
Power consumption:	26W		CrO ₂ tape, 20~19 kHz 25~17 kHz (+2 -3 dB)
Dimensions:	450(W) x 120(H) x 327(D) mm	Motor:	38 pulse FG servo motor (for capstan) DC servo motor
Weight:	9.8 kg	Head:	V-cut combination ferrite head (for Rec./Pb) Double cap ferrite head (for Erasure)
Track system:	4-track 2-channel stereo	Input:	MIC; Max. input sensitivity 0.25 mV (200 Ω~10 kΩ suitable)
Tape speed:	4.76 cm/sec. ± 0.5%		LINE IN; Max. input sensitivity 75 mV (More than 50 kΩ)
Wow & flutter:	Less than 0.04% (WRMS) at Pb	Output:	DIN; Max. input sensitivity 0.25 mV (50 kΩ)
Automatic stop system:	Full auto-stop		LINE OUT; Standard output level 0.41V (0 VU) Optimum load impedance More than 50 kΩ
Automatic shut-off action time:	2 ± 0.5 sec.		DIN; Standard output level 0.41 V (0 VU) Optimum load impedance More than 50 kΩ
Pinch roller pressure:	580 +70 -40 g		PHONES; 8 Ω~150 Ω
Take-up torque:	50 ± 10 g-cm		
FF & rewind torque:	155 ± 25 g-cm		
FF & rewind time:	65 ± 5 sec. (w/c-60 cassette)		
Unattended recording acting time:	3 sec.		
Playback output:	0.58 ± 0.06 V (LINE)		
Playback noise:	Less than 3.5 mV (LH, DOLBY OFF) Less than 1.0 mV (Fe-Cr, CrO ₂ , DOLBY ON)		
Rec./Pb output:	0 VU ± 1.0 dB (LINE)		
Rec./Pb distortion:	Less than 1.5% (LH) Less than 1.0% (Fe-Cr) Less than 1.5% (CrO ₂)		
Rec./Pb S/N:	More than 40/45 dB (LH, DOLBY OFF/ON) More than 43/46 dB (Fe-Cr, CrO ₂ , DOLBY OFF/ON)		
Channel separation:	More than 30 dB		
Cross talk:	More than 60 dB		
Erasing ratio:	More than 60 dB		
VU meter display error:	0 VU ± 0.5 dB		
Peak meter display error:	(0 VU +7 dB) +7 dB ± 1 dB (0 VU -10 dB) -10 dB ± 1 dB (0 VU -20 dB) -20 dB ± 2 dB		
Bias frequency:	105 kHz		

- Specifications and external appearance are subject to change without notice due to product improvement.
- Dolby Noise Reduction System is licensed from Dolby Laboratories Incorporated.
- The name "Dolby" and the "Double D" symbol are trademarks of Dolby Laboratories Incorporated.

DISASSEMBLY INSTRUCTIONS

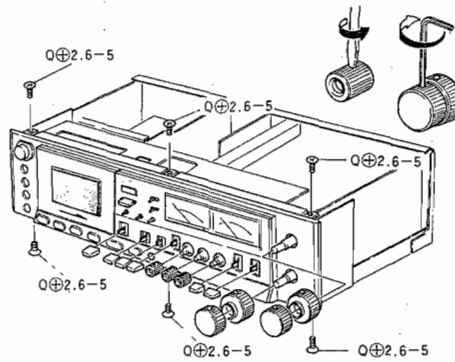
To Remove Top Panel

- 1) Remove 7 screws.



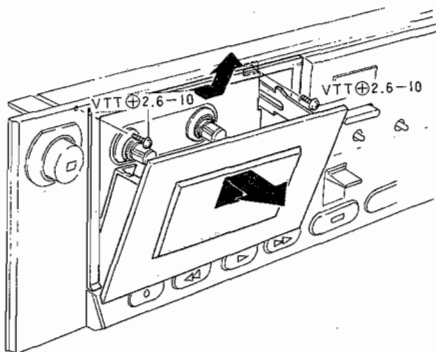
To Remove Front Panel

- 1) Pull out the 13 knobs.
- 2) Remove 6 screws.



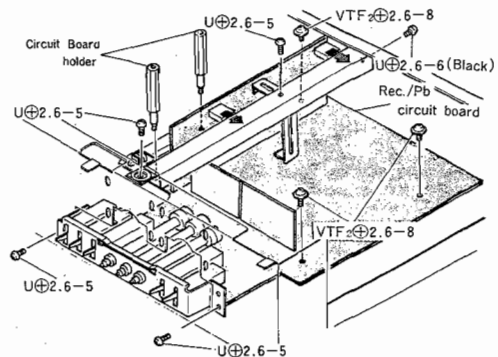
To Remove Cassette Lid, Blinder and Cassette Plate

- 1) Remove the cassette lid.
- 2) Remove the blinder.
- 3) Remove 2 screws, securing the cassette plate in place.



To Remove REC/PB Circuit Board

- 1) Remove 2 circuit board holders.
- 2) Disconnect 2 connectors.
- 3) Remove 8 screws.



To Remove System Logic Circuit Board
 1) Remove 4 screws.

To Remove Key Logic Circuit Board
 1) Disconnect 2 connectors.
 2) Remove 2 screws.

To Remove Mechanism
 1) Remove 2 screws, securing the player shync circuit board in place.
 2) Remove 4 screws, securing the power transformer in place.
 3) Remove 2 screws, securing the power switch holder in place.
 4) Remove the counter belt and main belt.
 5) Remove the rod stoppers and take out the selector rods.

To Remove Front Panel B Ass'y
 1) Remove 2 nuts.
 2) Remove 2 screws.

To Remove Switch Board Ass'y and Switch Circuit Board
 1) Remove 2 nuts.
 2) Remove 7 screws.

To Remove FRTS Circuit Board
 1) Remove 5 screws.

6) Remove 10 screws.

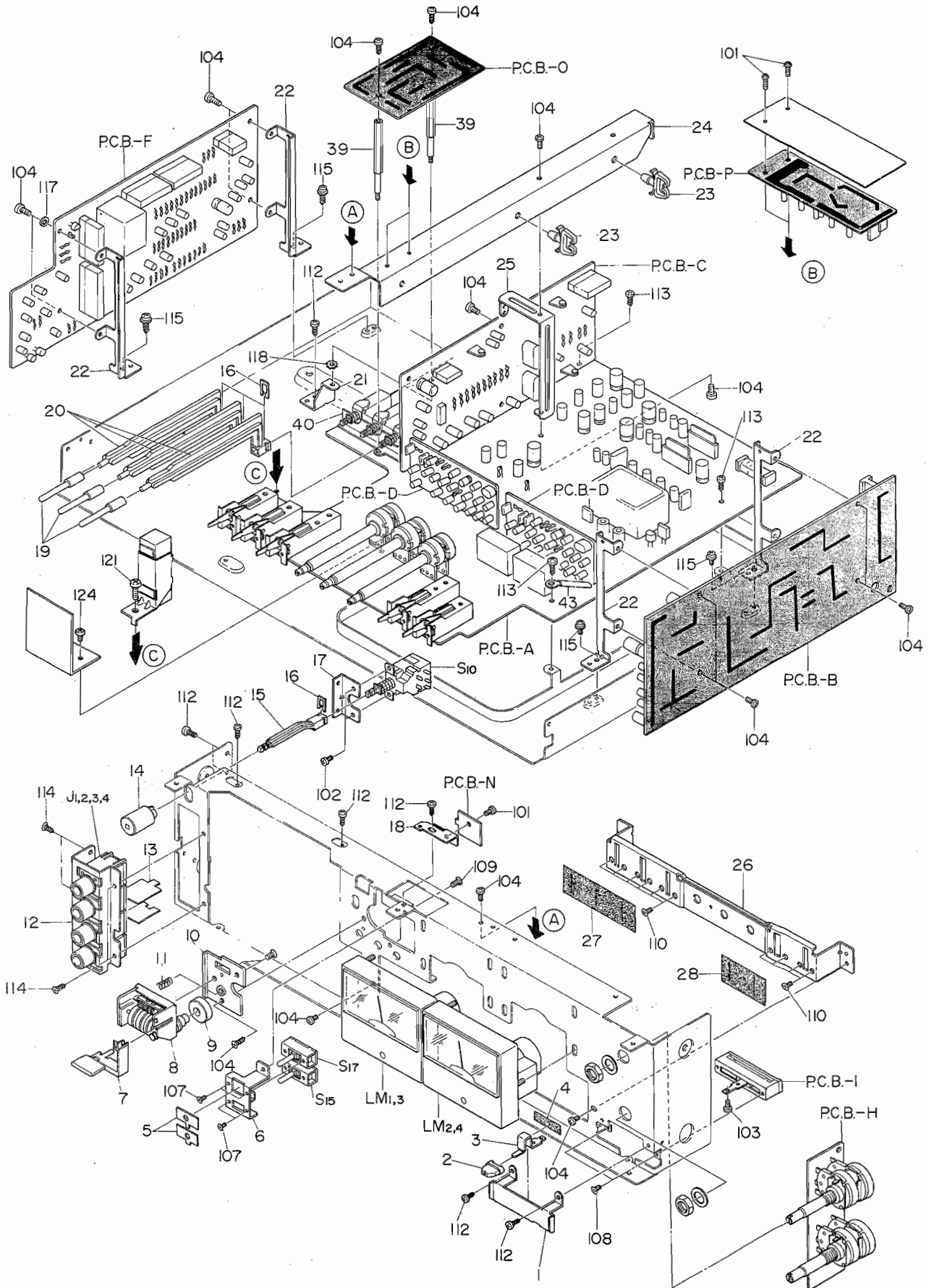
PARTS LIST

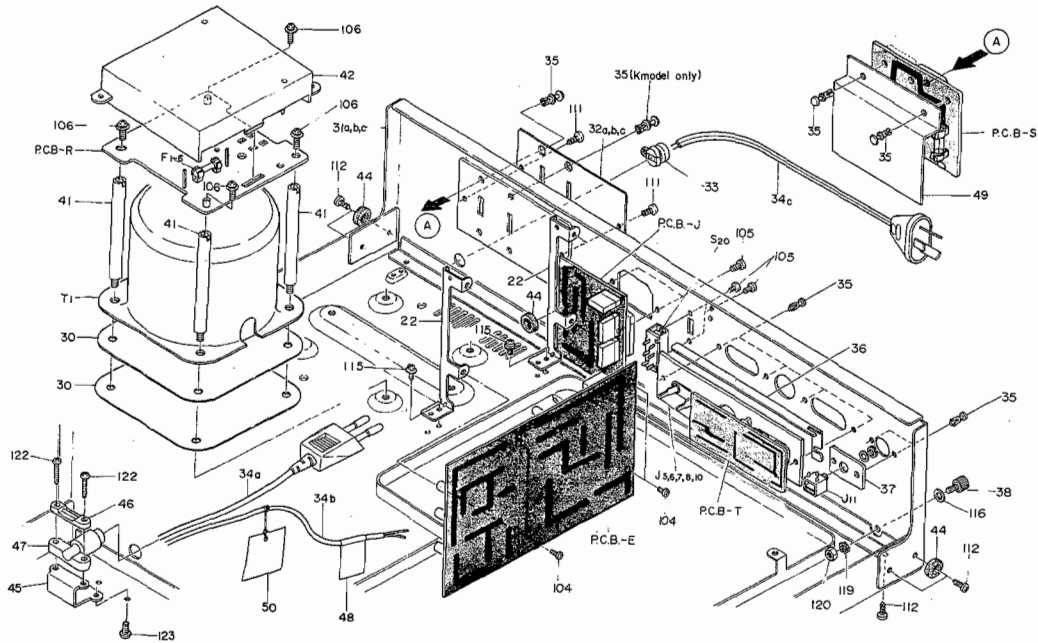
MECHANICAL PARTS

■ * mark in this part list shows exclusive part
(which is used) for only Model AD-6900.

Ref. No.	Part No.	Part No. Changed to	Description	Common Model	Q'ty
1-1	82-304-004-11		Front panel A ass'y	*	1
1-2	82-304-053-01		Cover, Bias	*	1
1-3	82-304-026-01		Window, Meter	*	1
1-4	82-304-255-01		Guide, Push button	*	1
1-5	82-304-061-01		Window, Counter	*	1
1-6	82-304-051-01		Cover, Eject	*	1
1-7	82-304-010-01		Front panel B ass'y	*	1
1-8	82-304-008-01		Front panel (M)	*	1
1-9	82-304-245-01		Nut, 3-9	*	6
1-10	82-304-002-01		Front panel, Base	*	1
1-11	82-303-367-01		Cushion, Actuating lock		1
1-12	82-478-012-01		Ring, Power button		1
1-13	87-342-074-01		UT ₁ + 2.6-8		1
1-14	87-342-075-01		UT ₁ + 2.6-10		1
1-15	87-081-765-01		VT ₂ + 2.6-8		5
1-16	82-304-653-01		Switch board ass'y	*	1
1-17	82-304-060-01		Push key, REC MUTE	*	1
1-18	82-304-058-01		Push key, PAUSE	*	1
1-19	82-304-059-01		Push key, STOP	*	1
1-20	82-304-057-01		Push key, F.F	*	2
1-21	82-304-056-01		Push key, PLAY	*	1
1-22	82-304-055-01		Push key, REC	*	1
1-23	87-391-017-01		N-3		2
1-24	82-304-040-01		Cassette lid ass'y	*	1
1-25	82-304-246-01		Adhesive sheet, Cassette lid	*	2
1-26	82-304-043-01		Window, Cassette lid	*	1
1-27	82-304-231-01		Clamp, Cassette lid	*	4
1-28	87-441-003-01		STE 1.5		4
1-29	82-397-039-01		Ring, Reel table	AD-6550	2
1-30	82-397-290-01		Adhesive sheet, Ring	AD-6550	2
1-31	82-304-073-01		Cassette plate	*	1
1-32	82-304-044-01		Guide, Light	*	1
1-33	82-304-066-01		Cushion, Cassette lid	*	2
1-34	82-304-049-01		Blinder	*	1
1-35	82-304-063-01		Steel cabinet ass'y	*	1
1-36	82-397-245-01		Himeron cloth, Cabinet	AD-6550	1
1-37	82-380-439-01		Spacer, Back panel	AD-6500	1
1-38	82-304-202-21		Chassis, Front	*	1
1-39	82-304-302-01		Spacer, Cushion	*	4
1-40	82-304-201-31		Chassis, Amp.	*	1
1-41	82-304-203-01		Bottom lid	*	1
1-42	87-085-161-01		Leg		4
1-43	82-304-276-01		Screw, Leg	*	4
1-44	82-304-034-01		Knob B ass'y	*	2
1-45	82-304-032-01		Knob A ass'y	*	2
1-46	82-304-030-01		Knob, Selector	*	5
1-47	82-304-036-01		Knob C ass'y	*	3
1-48	82-304-062-01		Knob, Eject key	*	1
1-49	82-304-080-01		Caution label, Timer	*	1

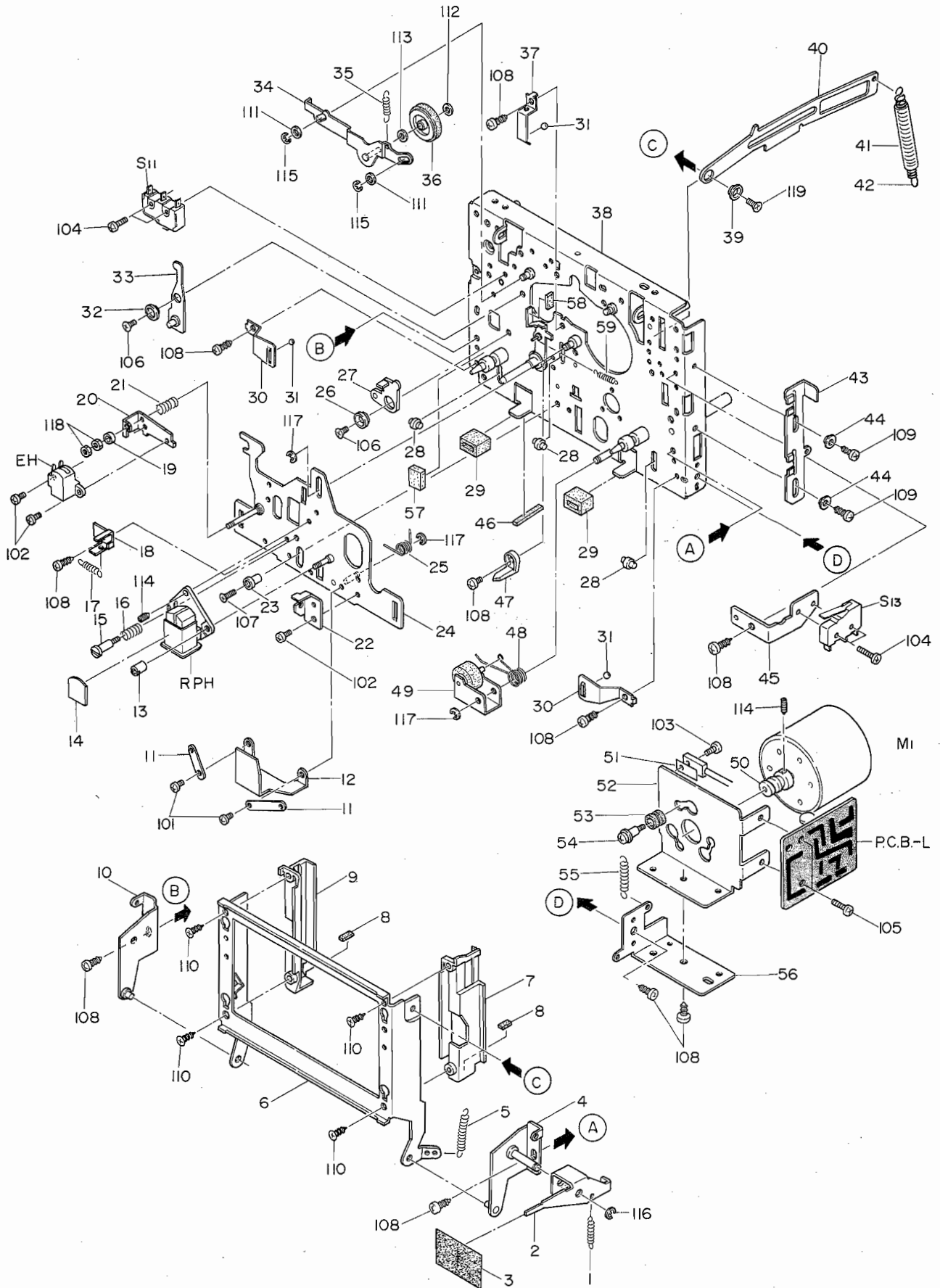
EXPLODED VIEW-2





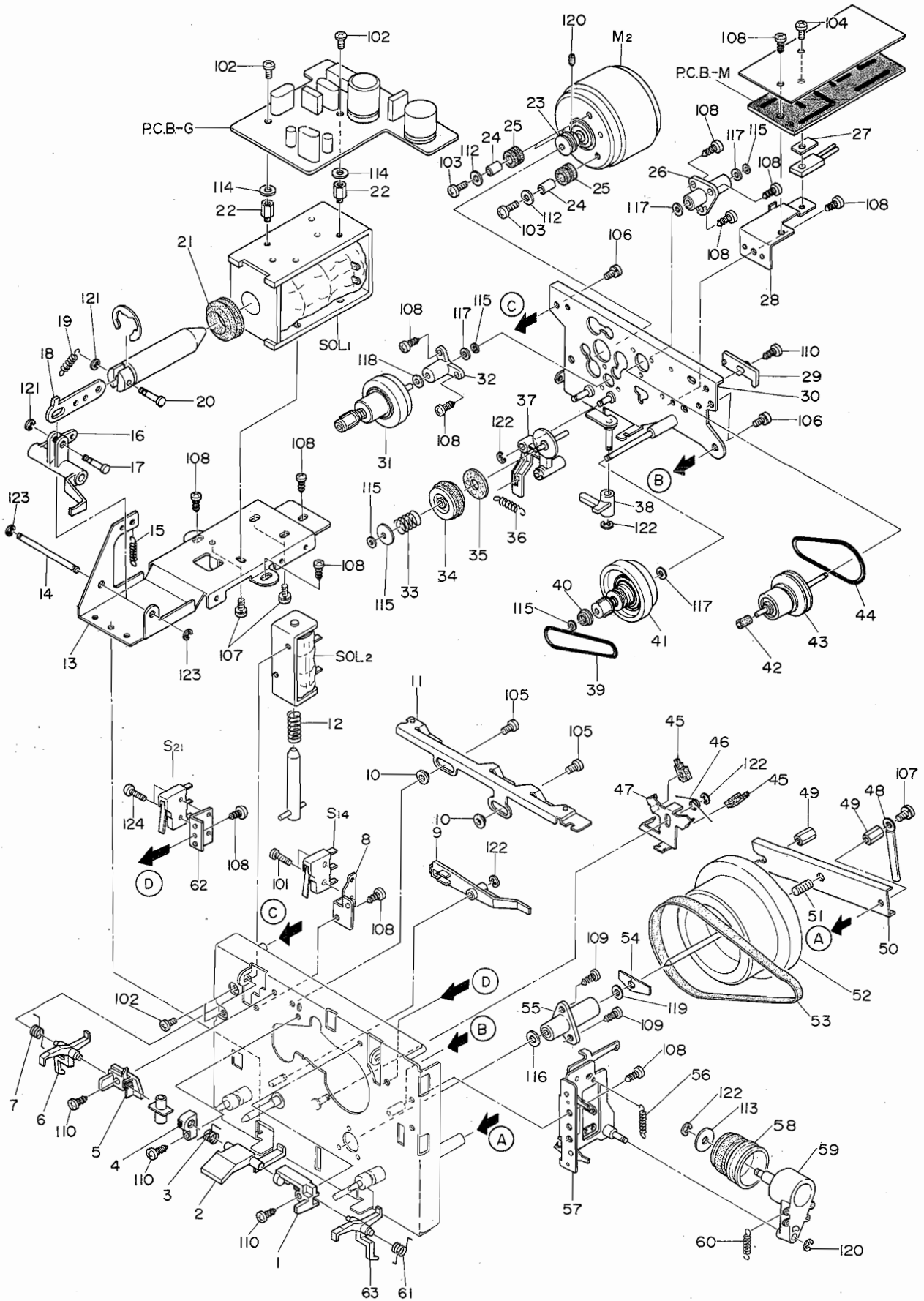
Ref. No.	Part No.	Part No. Changed to	Description	Common Model	Q'ty
2-1	82-304-052-01		Cover, PB volume	*	1
2-2	82-304-054-01		Knob D ass'y	*	1
2-3	82-304-254-01		Holder, Volume	*	1
2-4	82-304-291-01		Himeron cloth, PB volume	*	1
2-5	82-304-048-01		Cover, Selector	*	2
2-6	82-304-205-01		Switch holder B	*	1
2-7	82-304-027-01		Button, RESET	*	1
2-8	87-040-100-01		Counter	*	1
2-9	82-379-617-01		Ring, Magnet	AD-1800	1
2-10	82-304-206-01		Holder, Counter	*	1
2-11	82-304-303-01		Spring, RESET	*	1
2-12	82-304-634-01		Jack ass'y	*	1
2-13	82-304-647-01		Shield plate, Jack	*	1
2-14	82-399-025-01		AC switch button ass'y	*	1
2-15	82-304-210-01		Rod, Power	*	1
2-16	82-385-383-01		Stopper, Rod	*	4
2-17	82-304-258-01		Holder, Power	*	1
2-18	82-397-265-01		Holder, Hall	*	1
2-19	82-304-028-01		Push button	*	3
2-20	82-304-211-01		Rod, Selector	*	3
2-21	82-304-306-01		Holder F, Circuit board	*	1
2-22	82-304-207-01		Holder A, Circuit board	*	6
2-23	87-064-083-01		Wire clip	*	2
2-24	82-304-261-21		Holder C, Circuit board	*	1
2-25	82-304-262-01		Holder D, Circuit board	*	1
2-26	82-304-204-01		Holder A, Switch	*	1
2-27	82-304-273-01		Himeron cloth, Selector A	*	1
2-28	82-304-274-01		Himeron cloth, Selector B	*	1
2-29	82-488-234-01		Holder, Voltage selector	*	1
2-30	82-304-735-01		Shield plate, Power transformer	*	2
2-31a	82-304-014-01		Panel, Back (E model only)	*	1
2-31b	82-304-015-01		Panel, Back (K model only)	*	1
2-31c	82-304-074-01		Panel, Back (G model only)	*	1
2-32a	82-304-020-01		Name plate, Spec. (E model only)	*	1
2-32b	82-304-021-01		Name plate, Spec. (K model only)	*	1
2-32c	82-304-023-01		Name plate, Spec. (G model only)	*	1
2-33	87-085-101-01		Cord bushing (G model only)	*	1
2-34a	87-034-835-01		AC power cord (E model only)	*	1
2-34b	87-034-872-01		AC power cord (K model only)	*	1
2-34c	87-034-846-01		AC power cord (G model only)	*	1
2-35	87-085-102-01		Nylon rivet	E:12 K:10 G:10	1
2-36	82-386-629-01		Shield plate, Jack	AD-1250	1
2-37	82-387-273-01		Holder, Jack	AD-6800	1
2-38	87-033-088-01		Earth terminal	*	1
2-39	82-304-322-01		Holder H, Circuit board	*	2
2-40	82-304-300-01		Holder, Selector switch	*	1
2-41	82-304-325-01		Holder, Circuit board	*	4
2-42	82-304-326-01		Fuse Shield case	*	1
2-43	87-038-039-01		Wire binder	*	1
2-44	82-304-302-01		Cushion, Spacer	*	3
2-45	82-397-244-01		Holder, Pressure AC power cord	AD-6550	1
2-46	87-085-094-01		Pressure AC power cord A	*	1
2-47	87-085-095-01		Pressure AC power cord B	*	1
2-48	87-056-008-01		Label, AC power cord (K model only)	*	1
2-49	82-304-749-01		Insulation plate, Voltage selector	*	1
2-50	87-056-014-01		Tag, Main voltage	*	1

EXPLODED VIEW-3



Ref. No.	Part No.	Part No. Changed to	Description	Common Model	Q'ty
3-1	82-304-264-01		Spring, Eject lever	*	1
3-2	82-304-236-01		Lever, Eject key	*	1
3-3	82-304-275-01		Himeron cloth, Eject	*	1
3-4	82-304-215-01		Holder, Cassette box R ass'y	*	1
3-5	82-304-252-01		Spring, Cassette lid	*	1
3-6	82-304-212-01		Cassette box ass'y	*	1
3-7	82-304-046-01		Cassette holder R	*	1
3-8	82-304-284-01		Cushion, Cassette	*	2
3-9	82-304-047-01		Cassette holder L	*	1
3-10	82-304-219-01		Holder, Cassette box L ass'y	*	1
3-11	82-365-280-01		Holder, Wire	*	2
3-12	82-304-308-01		Shield plate,	*	1
3-13	82-304-317-01		Nut, Azimuth	*	1
3-14	82-304-069-01		Label, Head	*	1
3-15	82-304-289-01		Screw, Rec./Pb. head	*	1
3-16	82-304-290-01		Spring, Rec./Pb. head	*	1
3-17	82-303-377-01		Spring A, Erase head		1
3-18	82-303-375-01		Stopper, Erase head		1
3-19	82-303-371-01		Collar, Erase head		1
3-20	82-303-374-01		Holder, Erase head		1
3-21	82-303-376-01		Spring, Erase head		1
3-22	82-303-294-01		Holder, Spring		1
3-23	82-303-306-01		Flange collar, Actuating		1
3-24	82-303-236-01		Actuating chassis ass'y		1
3-25	82-303-315-01		Spring, Actuating		1
3-26	82-303-295-01		Flange collar, Actuating lock		1
3-27	82-303-288-01		Lever, Actuating lock		1
3-28	82-303-302-01		Roller, Actuating		3
3-29	82-303-312-01		Cushion, Actuating		2
3-30	82-303-299-01		Spring, Actuating B		2
3-31	82-215-341-01		Steel ball		3
3-32	82-303-303-01		Flange collar idler lever		1
3-33	82-303-337-01		Lever, Play idler B ass'y		1
3-34	82-303-342-01		Lever, Play idler ass'y		1
3-35	82-303-325-01		Spring, Play idler		1
3-36	82-303-272-01		Play idler ass'y		1
3-37	82-303-298-01		Spring, Actuating A		1
3-38	82-304-201-31		Mechanism chassis ass'y		1
3-39	82-304-287-01		Flange collar, Cassette lid	*	1
3-40	82-304-239-01		Lock plate, Cassette lid	*	1
3-41	87-830-504-01		UL tube 5φ x 40		1
3-42	82-304-318-01		Spring, Lock plate	*	1
3-43	82-304-237-01		Slide plate, Eject	*	1
3-44	82-304-241-01		Flange collar, Eject	*	1
3-45	82-304-235-01		Holder, Lead switch	*	1
3-46	82-303-372-01		Felt, Erase head		1
3-47	82-303-290-01		Guide, Cassette lid		1
3-48	82-303-316-01		Spring, Pinch lever		1
3-49	82-303-260-01		Pinch roller ass'y		1
3-50	82-303-301-01		Motor pulley, Flywheel		1
3-51	82-304-701-01		Spacer, Insulation	*	1
3-52	82-304-256-01		Holder, Motor A	*	1
3-53	87-087-029-01		Rubber cushion		3
3-54	87-081-483-01		Motor screw, M2.6		3
3-55	82-304-265-01		Spring, Eject	*	1
3-56	82-304-257-01		Holder, Motor B	*	1
3-57	82-303-367-01		Cushion, Actuating		1
3-58	82-303-382-01		Felt, Brake		1
3-59	82-303-326-01		Spring, Back tension		1

EXPLODED VIEW-4



ELECTRICAL MAIN PARTS LIST

Symbol No.	Part No.	Description	Symbol No.	Part No.	Description	Symbol No.	Part No.	Description
◀ REC/PB CIRCUIT BOARD SECTION ▶			◀ PEAK METER CIRCUIT BOARD SECTION ▶			◀ CL CIRCUIT BOARD SECTION ▶		
PCB-A	82-304-602-21	REC/PB circuit board	C43,44	87-015-247-01	10μF 25V Electrolytic LL	PCB-G	82-304-609-21	CL circuit board
IC1,2	82-304-682-01	IC, TA-7220P	C2,4	87-014-049-01	470pF ±5% PP	Q13,14,15,17,19,22,23	89-309-455-01	Transistor, 2SC945L (L)
Q1,2	89-314-005-01	Transistor, 2SC1400 (E)	◀ DOLBY-NR CIRCUIT BOARD SECTION ▶			Q16,18,20,21,24	89-402-344-01	Transistor, 2SD234 (Y)
Q3,4	87-027-245-01	FET, 2SK68A (M)	PCB-D	82-304-728-01	Dolby-NR circuit board	D6	87-027-097-01	Diode, 1S1555
Q5,6,7,8,101,102	89-312-222-01	Transistor, 2SC1222 (E)	IC1,2	82-304-729-01	IC, CR713	D23	87-027-083-01	Diode, 1S1885
Q103,104,105,106,301,303,305,306	89-318-154-51	Transistor, 2SC1815 (Y, GR)	D1	82-371-647-01	Zener diode, RD-7.5 (E)	< Resistor >		
Q201,202,203,251	89-405-712-01	Transistor, 2SD571 (L)	D2,3	88-051-060-01	Diode, 1N60	R35	82-304-738-01	47Ω 10W Ceme
Q204	89-206-051-01	Transistor, 2SB605 (K)	D10,11,12,43,44	87-027-253-01	Diode, M8513A (AIWA)	◀ VOLUME CIRCUIT BOARD-2 SECTION ▶		
Q205	89-405-711-01	Transistor, 2SD571 (K)	D9,10,11,12,43,44	87-027-097-01	Diode, 1S1555	PCB-H	82-304-691-21	Volume circuit board-
Q206	89-402-344-01	Transistor, 2SD234 (Y)	D41	82-371-647-01	Zener diode, RD-7.5E	VR1,2	82-304-680-11	Volume, 20kΩ-A (MIC RECORD LEVEL)
Q302	89-316-347-01	Transistor, 2SC1634 (7)	D101,102,103,104,105,106	88-052-188-01	Diode, 1S188 (FM)	VR3,4	82-304-681-11	Volume, 50kΩ-A (LIN RECORD LEVEL)
Q307,308,309,310	89-402-275-01	Transistor, 2SD227 (V)	◀ KEY-LOGIC CIRCUIT BOARD SECTION ▶			◀ VOLUME CIRCUIT BOARD-1 SECTION ▶		
Q311,312	89-320-011-01	Transistor, 2SC2001 (K)	PCB-E	82-304-686-21	Key-logic circuit board	PCB-I	82-304-605-11	Volume circuit board-1
Q401~414	89-309-455-01	Transistor, 2SC945L (Q)	Q1,2,3,4,5,6,7,8,9,10,11,12,13,14,15,16,17,18,19,20,21,22,23,24,25,26,29,30,31,32,33	89-309-455-01	Transistor, 2SC945 (L, Q)	VR5,6	82-304-622-01	Slide volume, 10kΩ-A (OUT PUT LEVEL)
D201,203	87-027-163-01	Diode, 1B4B1	Q12,13,14			◀ REMORT CONTROL JACK CIRCUIT BOARD SECTION ▶		
D202	82-372-631-01	Zener diode, XZ-315	Q1,2,3,4,5,6,7,8,9,10,11,12			PCB-J	82-304-688-21	Remort control jack cir
D204,205	87-027-283-01	Zener diode, 05Z-13U	Q13,14			J9	82-304-671-01	Connector (REMORT CONTROL)
D206,207,208	87-027-083-01	Diode, 1S1885	Q13,14			◀ SWITCH CIRCUIT BOARD SECTION ▶		
D209	87-027-244-01	Zener diode, 05Z-8.2U	C1,2	87-015-241-01	1μF 50V Electrolytic LL	PCB-K	82-304-740-01	Switch circuit board ass
D210	87-027-199-01	Zener diode, 05Z-15U	C9,10	87-015-247-01	10μF 25V Electrolytic LL	D1,6	87-026-112-01	Light-emitting diode, SEL-1033 (RED)
D301,302,304,305,306,308,310,401,402,403	87-027-097-01	Diode, 1S1555	C11,12	82-371-643-01	4700pF ±2% PP	D2,3,4,5	87-026-113-01	Light-emitting diode, SEL-303E (GRN)
D303	88-052-188-11	Diode, 1S188 (FM)	C3,4	82-371-642-01	5600pF ±2% PP	◀ DME CIRCUIT BOARD SECTION ▶		
D309	87-026-069-01	Zener diode, WZ-052	C13,14	82-371-641-01	0.027μF ±2% PP	PCB-N	82-304-687-11	DME circuit board
L1,2,3,4,107,108	82-371-622-01	Coil, 23mH	◀ SYSTEM LOGIC CIRCUIT BOARD SECTION ▶			DME	82-397-642-01	DME
L101,102	82-385-636-01	Coil, 6.8mH	PCB-F	82-304-608-21	System logic circuit board	◀ PLAYER SYNC CIRCUIT BOARD SECTION ▶		
L103,104	82-304-714-01	Coil, 3.3mH	Q1,6,9,10,11,12,25,26,27,28,29,30,33,34,35,36,37,38,39,40,41,44,45,46,47,50,51,52,53,54,55,56,57,58,59,60,64,65,66	89-309-455-01	Transistor, 2SC945 (L, Q)	PCB-O	82-304-711-11	Player sync circuit board
L105,106	82-304-715-01	Coil, 3.9mH	Q1,2,3,4,5,6,7,8,9,10,11,12,13,14,15,16,17,18,19,20,21,22,23,24,25,26,29,30,31,32,33			Q1,2,3	89-318-154-01	Transistor, 2SC1815 (Y)
LPF101,102	82-397-634-01	Low-pass filter	Q13,14			D1	87-027-097-01	Diode, 1S1555
TC251,252	85-708-604-21	Trimer, 30pF	◀ FUSE CIRCUIT BOARD SECTION ▶			◀ EQ CIRCUIT BOARD SECTION ▶		
OSC UNIT	82-304-631-01	OSC unit	F1,3,4	82-304-731-01	Fuse circuit board	PCB-P	82-304-713-11	EQ circuit board
RY1, S9	84-184-612-01	Relay, HA212N (STOP MUTING)	F2	87-035-107-01	Fuse, "T" 315mA	Q1,2,3,4,5,6	89-318-154-51	Transistor, 2SC1815 (Y)
VR7,8,9,10,13,14	82-304-623-11	Volume, 50kΩ x 2, 20kΩ x 1 (REC CAL, BIAS FINE ADJ)	F5	87-035-063-01	Fuse, "T" 630mA	◀ THERMISTER CIRCUIT BOARD SECTION ▶		
VR11,12,15	82-304-624-11	Volume, 50kΩ x 3 (REC CAL, BIAS FINE ADJ)	F5	87-098-011-01	Fuse label, "T" 315mA	PCB-Q	82-304-719-01	Thermister circuit board
S1,2	82-304-627-01	Lever switch (MONITOR, TEST)	F6	87-035-064-01	Fuse, "T" 630mA	Th1	82-304-720-01	Thermister, 1.7kΩ
S3,4	82-304-629-01	Lever switch (DOLBY-NR, BIAS)	F6	87-098-014-01	Fuse label, "T" 315mA	Th2	82-304-721-01	Thermister, 5kΩ
S5	82-304-628-01	Lever switch (EQ)	F7	87-035-117-01	Fuse, "T" 1.25A	◀ VOLTAGE SELECTOR CIRCUIT BOARD SECTION ▶		
S6,7,8	82-304-626-01	Push switch (PEAK HOLD, PEAK VU)	F7	87-098-017-01	Fuse label, "T" 1.25A	PCB-S	82-304-730-01	Voltage selector circuit b
SFR1,2,3,4,105,106	87-021-363-01	Semi-fixed resistor, 47kΩ-B	F7	87-098-016-01	Fuse label, "T" 1A	S22,23	87-031-364-01	Slide switch (VOLTAGE SELECTOR) (E model only)
SFR101,102,103,104	87-021-366-01	Semi-fixed resistor, 10kΩ-B	F7	87-035-064-01	Fuse, "T" 1A	S22	87-031-364-01	Slide switch (VOLTAGE SELECTOR) (K, G mode)
SFR251	87-021-406-01	Semi-fixed resistor, 4.7kΩ-B	F8	87-098-016-01	Fuse label, "T" 1A	F7	87-035-075-01	Fuse, "T" 500mA (E model only)
SFR252	87-021-422-01	Semi-fixed resistor, 22kΩ-B	F8	87-035-064-01	Fuse, "T" 1A	F7	87-098-013-01	Fuse label, "T" 500mA (E model only)
Th1,2	82-304-720-01	Thermistor, 1.7kΩ	F8	87-098-016-01	Fuse label, "T" 1A	F7	87-035-107-01	Fuse, "T" 315mA (K, G model only)
Th3,4	82-304-722-01	Thermistor, 20kΩ	F8	87-098-016-01	Fuse label, "T" 1A	F7	87-098-011-01	Fuse label, "T" 315mA (K, G model only)
R217	87-029-066-01	Fuse resistor	F8	87-035-064-01	Fuse, "T" 1A	F7	87-035-075-01	Fuse, "T" 500mA (K, G model only)
R218	87-029-067-01	Fuse resistor	F8	87-098-016-01	Fuse label, "T" 1A	F8	87-098-013-01	Fuse label, "T" 500mA (K, G model only)
R209	87-029-017-01	Fuse resistor	F8	87-035-064-01	Fuse, "T" 1A	F8	87-035-075-01	Fuse, "T" 500mA (K, G model only)
R210	87-029-007-01	Fuse resistor	F8	87-098-016-01	Fuse label, "T" 1A	F8	87-098-013-01	Fuse label, "T" 500mA (K, G model only)
R202	87-029-016-01	Fuse resistor	F8	87-035-064-01	Fuse, "T" 1A	F8	87-098-013-01	Fuse label, "T" 500mA (K, G model only)
◀ FRIS CIRCUIT BOARD SECTION ▶			C1,2	87-015-241-01	1μF 50V Electrolytic LL	C1,2	87-019-096-01	0.01μF Compound capaci
PCB-B	82-304-607-21	FRIS circuit board	C9,10	87-015-247-01	10μF 25V Electrolytic LL	◀ JACK CIRCUIT BOARD SECTION ▶		
IC1,2	87-027-137-01	IC, TA-7122AP	C11,12	82-371-643-01	4700pF ±2% PP	PCB-T	82-304-734-01	Jack circuit board
IC3	87-027-235-01	IC, NJM-4558D	C3,4	82-371-642-01	5600pF ±2% PP	RY1, S19	84-184-612-01	Relay, HA212N
Q1,2	82-371-625-01	FET, 2SK30 (D)	C13,14	82-371-641-01	0.027μF ±2% PP	J5,6,7,8,10	82-304-737-01	Pin jack 4P, DIN JACK (LINE OUT/PLAY, LINE REC, REC/PLAY)
Q3,4,5,6	89-312-222-01	Transistor, 2SC1222 (E)	◀ KEY-LOGIC CIRCUIT BOARD SECTION ▶			Q1	89-316-347-01	Transistor, 2SC1634 (7)
Q7,8,12	89-412-275-01	Transistor, 2SD227 (V)	PCB-E	82-304-686-21	Key-logic circuit board	D1	87-027-097-01	Diode, 1S1555
Q9,10,11,13,14	89-318-154-51	Transistor, 2SC1815 (Y, GR)	Q1,2,3,4,5,6,7,8,9,10,11,12,13,14,15,16,17,18,19,20,21,22,23,24,25,26,29,30,31,32,33	89-309-455-01	Transistor, 2SC945 (L, Q)	◀ MISCELLANEOUS ▶		
D1,2	87-027-171-01	Zener diode, RD2.7E	Q5	89-405-712-01	Transistor, 2SD571 (L)	T1	82-304-644-01	Power transformer (E model only)
D3,4,5,6	87-026-066-01	Diode, M8513A (O)	Q7,8	87-027-217-01	FET, 2SK68 (M, N)	T1	82-304-645-01	Power transformer (K, G model only)
SFR1,2	87-021-525-01	Semi-fixed resistor, 3kΩ-B	Q31,32,42,43,48,49,61,62,63	89-107-335-01	Transistor, 2SA733 (K)			
SFR3	87-021-481-01	Semi-fixed resistor, 100kΩ-B	D1,4,7,8,9,10,11,13,17,20,21,25,26,27					
SFR4	87-021-431-01	Semi-fixed resistor, 30kΩ-B	RY1, S18	82-304-651-01	Relay			
SFR5	87-021-480-01	Semi-fixed resistor, 50kΩ-B	PIN-6	87-032-904-01	Pin, 4P			
SFR6	87-021-434-01	Semi-fixed resistor, 20kΩ-B	PIN-7	87-032-909-01	Pin, 9P			
PIN-1	87-032-397-01	Pin, 3P	PIN-8,9	87-032-910-01	Pin, 10P			
R92	82-304-683-01	56Ω 10W Cement resistor	PIN-10	87-032-784-01	Pin, 14P			
C49,50	87-015-241-01	1μF 50V Electrolytic LL						
C57,58	87-015-242-01	2.2μF 50V Electrolytic LL						
C33,34	87-015-243-01	3.3μF 50V Electrolytic LL						
C53,54	87-015-246-01	4.7μF 25V Electrolytic LL						

DESCRIPTION

ION >

circuit board

transistor, 2SC945L (Q)

transistor, 2SD234 (Y)

diode, 1S1555

diode, 1S1885

Resistor >

10W Cement resistor

SECTION 2 >

Volume circuit board-2

Volume, 20kΩ-A (MIC CORD LEVEL)

Volume, 50kΩ-A (LINE CORD LEVEL)

SECTION 1 >

Volume circuit board-1

Volume, 10kΩ-A (PUT LEVEL)

Symbol No.	Part No.	Description
RH,PH	82-304-635-11	REC/PB combination head
EH	82-304-636-01	Erase head
D24	87-027-083-01	Diode, 1S1885
M1,PCB-L	82-304-637-11	Main motor, DC-EG
M2,PCB-M	82-304-638-01	Sub motor, DC-EG
LM1,2,3,4	82-387-603-51	Meter (PEAK/VU)
PL3	82-304-718-01	Pilot lamp (CASSETTE WINDOW)
SOL1	82-304-639-01	Plunger (FWD)
SOL2	82-304-640-11	Plunger (FR)
J1,2,3,4	82-304-634-01	Jack ass'y (PHONES, LINE IN, MIC)
J11	87-032-882-01	Jack 2.5φ (PLAYER SYNC)
S10	87-031-408-01	Push switch (POWER)
S11	82-304-723-01	Micro switch (PLAY DETECTION)
S13,14,21	82-304-724-01	Micro switch (CASSETTE DETECTION, ERASE PREVENTION DETECTION, CrO ₂ AUTO)
S15,17	82-304-630-01	Slide switch (TIMER, MEMORY)
S16	87-040-100-01	Counter (MEMORY COUNTER)
S20	82-375-623-01	Slide switch (DIN OUTPUT LEVEL)

Symbol No.	Part No.	Description
CON-1	82-304-703-01	Connector ass'y, 3P
CON-3	82-304-657-11	Connector ass'y, 4P
CON-6	82-304-664-11	Connector ass'y, 4P
CON-13	82-304-668-01	Connector ass'y, 4P
CON-4	82-304-661-11	Connector ass'y, 5P
CON-12	82-304-669-01	Connector ass'y, 5P
CON-2	82-304-659-11	Connector ass'y, 6P
CON-11	82-304-670-01	Connector ass'y, 6P
CON-5,9	82-304-663-11	Connector ass'y, 8P, 10P
CON-7	82-304-666-11	Connector ass'y, 9P
CON-8	82-304-665-11	Connector ass'y, 10P
CON-10	82-304-667-01	Connector ass'y, 14P

⚠ Symbol is used to indicate that a specific component must be replaced only by the component for safety reasons.

CIRCUIT BOARD

Port control jack circuit board

Selector (REMORT CONTROL)

SECTION >

Light emitting diode, 1033 (RED)

Light emitting diode, 303E (GRN)

SECTION >

Circuit board

BOARD SECTION >

Sync circuit board

Resistor, 2SC1815 (Y)

Diode, 1S1555

BOARD SECTION >

Resistor circuit board

Resistor, 1.7kΩ

Resistor, 5kΩ

SECTION >

Circuit board

Transformer, "T" 315mA

Transformer, "T" 315mA

Transformer, "T" 630mA

Transformer, "T" 630mA

Transformer, "T" 1.25A

Transformer, "T" 1.25A

Transformer, "T" 1A

Transformer, "T" 1A

Transformer, "T" 1A

BOARD SECTION >

Selector circuit board

Switch (VOLTAGE CONTROL) (E model only)

Switch (VOLTAGE CONTROL) (K, G model only)

Transformer, "T" 500mA (E model only)

Transformer, "T" 500mA (model only)

Transformer, "T" 315mA (model only)

Transformer, "T" 315mA (model only)

Transformer, "T" 500mA (model only)

Transformer, "T" 500mA (model only)

SECTION >

Circuit board

Resistor, A212N

4P, DIN JACK

4P, LINE IN/PLAY

Resistor, 2SC1634 (7)

Diode, 1S1555

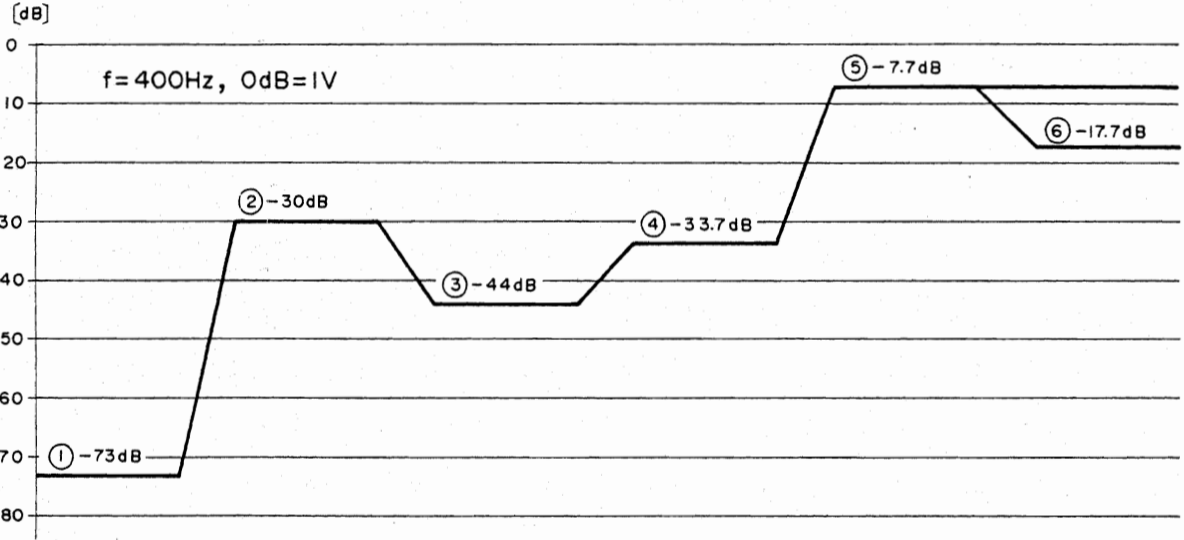
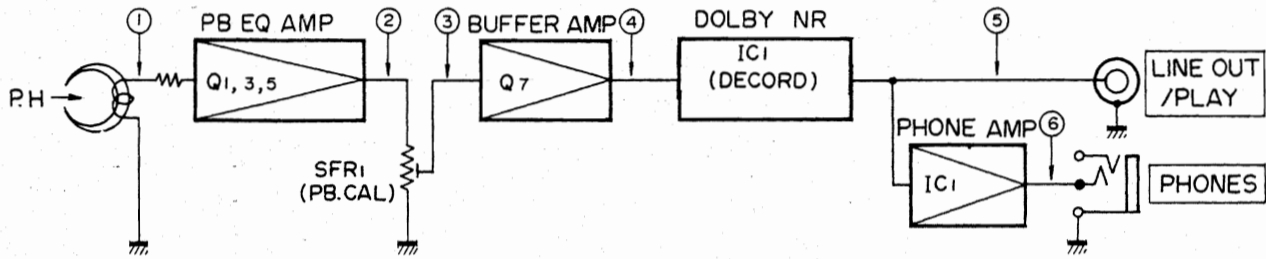
Transformer (model only)

Transformer (model only)

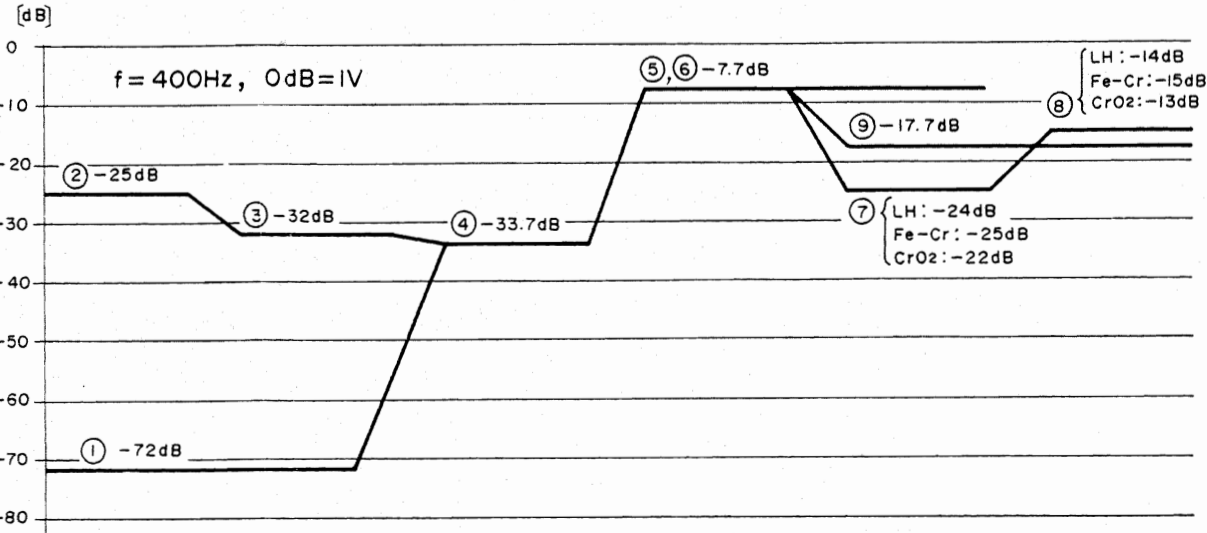
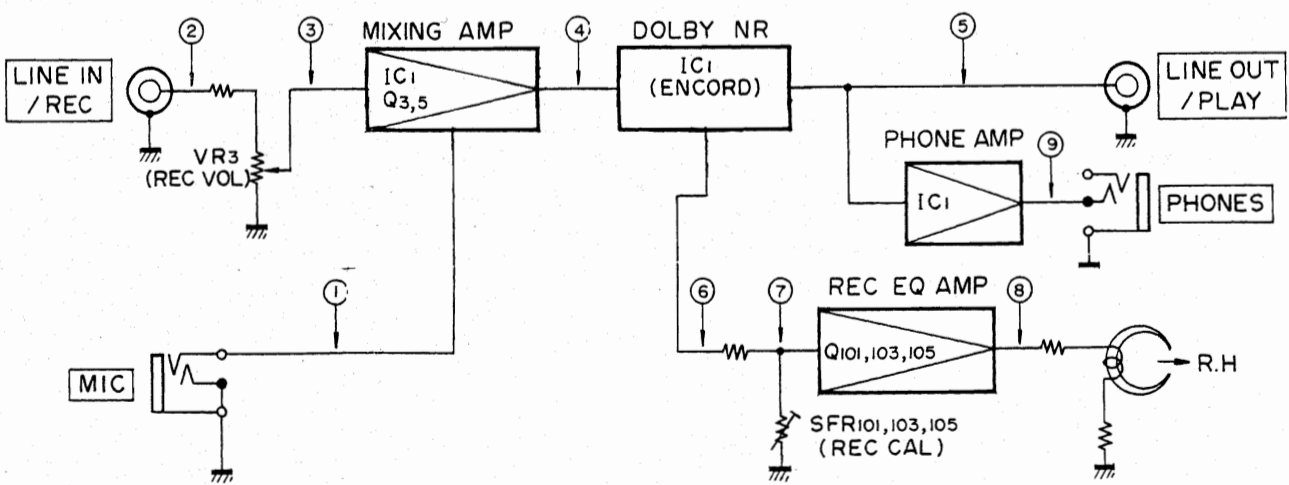
Transformer (model only)

LEVEL DIAGRAM

• **PLAYBACK**

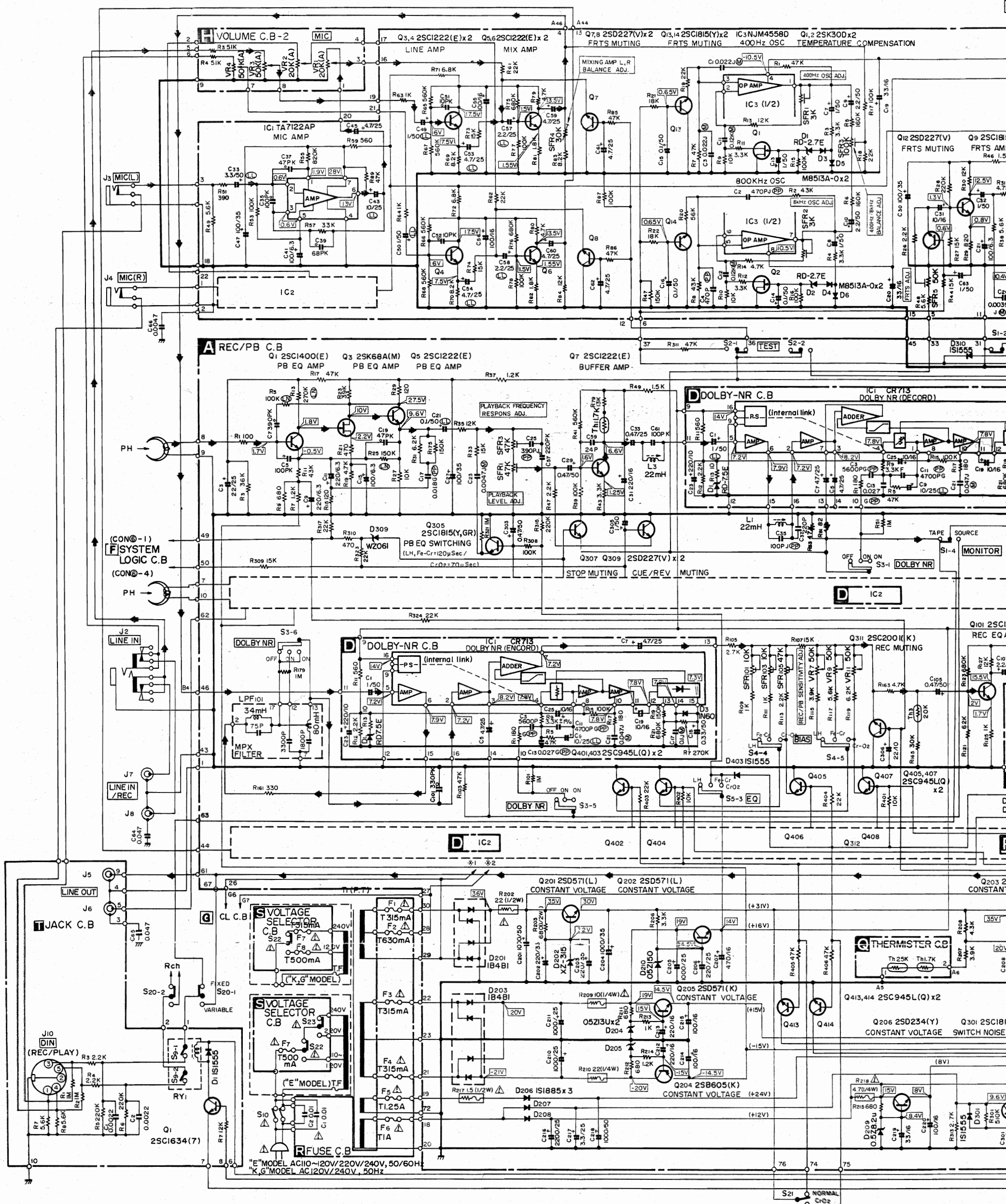


• **RECORD**



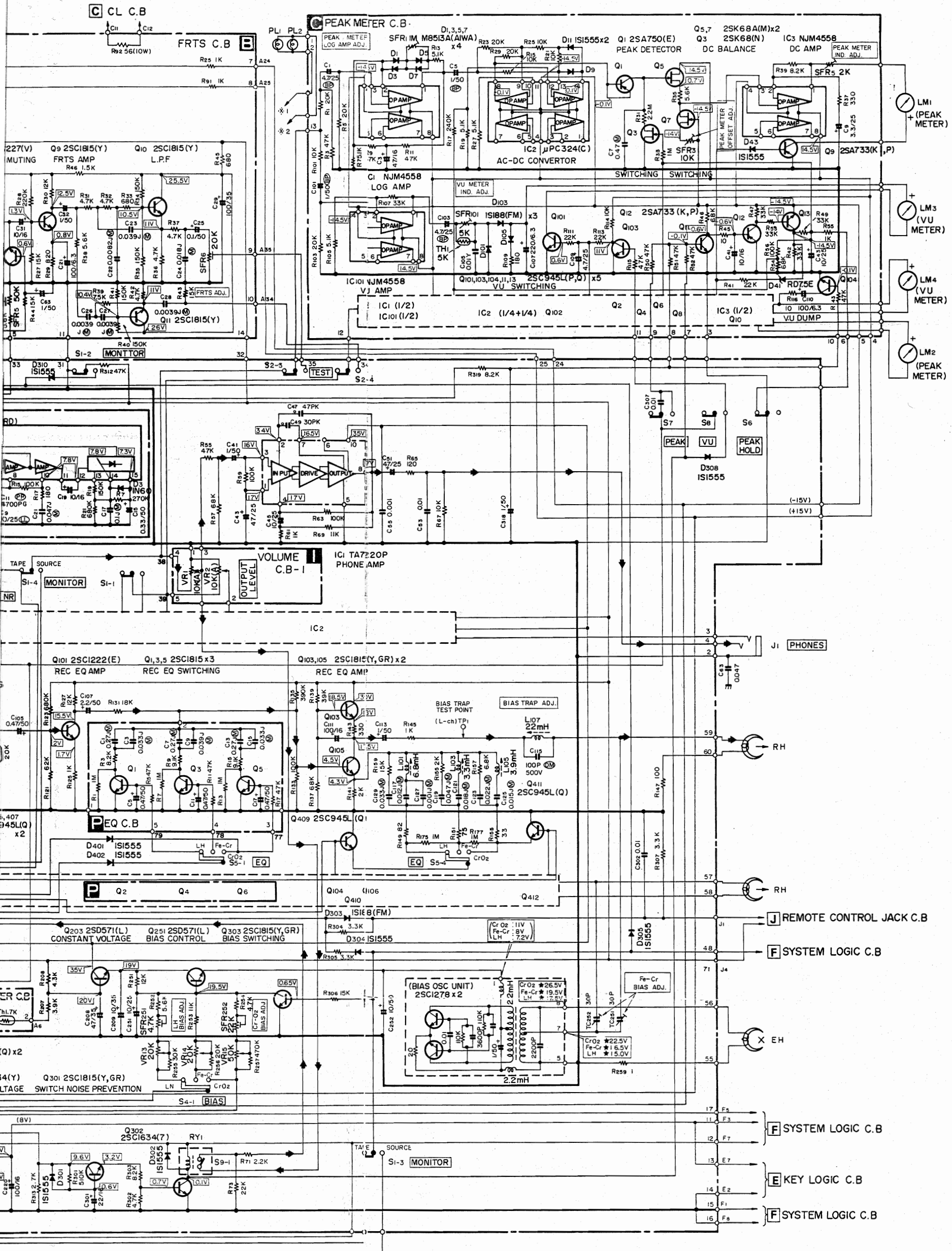
SCHEMATIC DIAGRAM - 1

A B C D E F G H I J K L M N

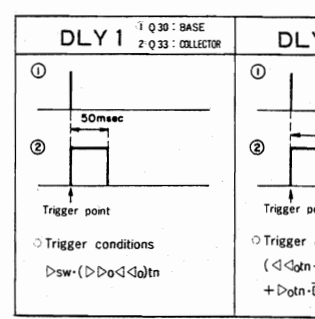
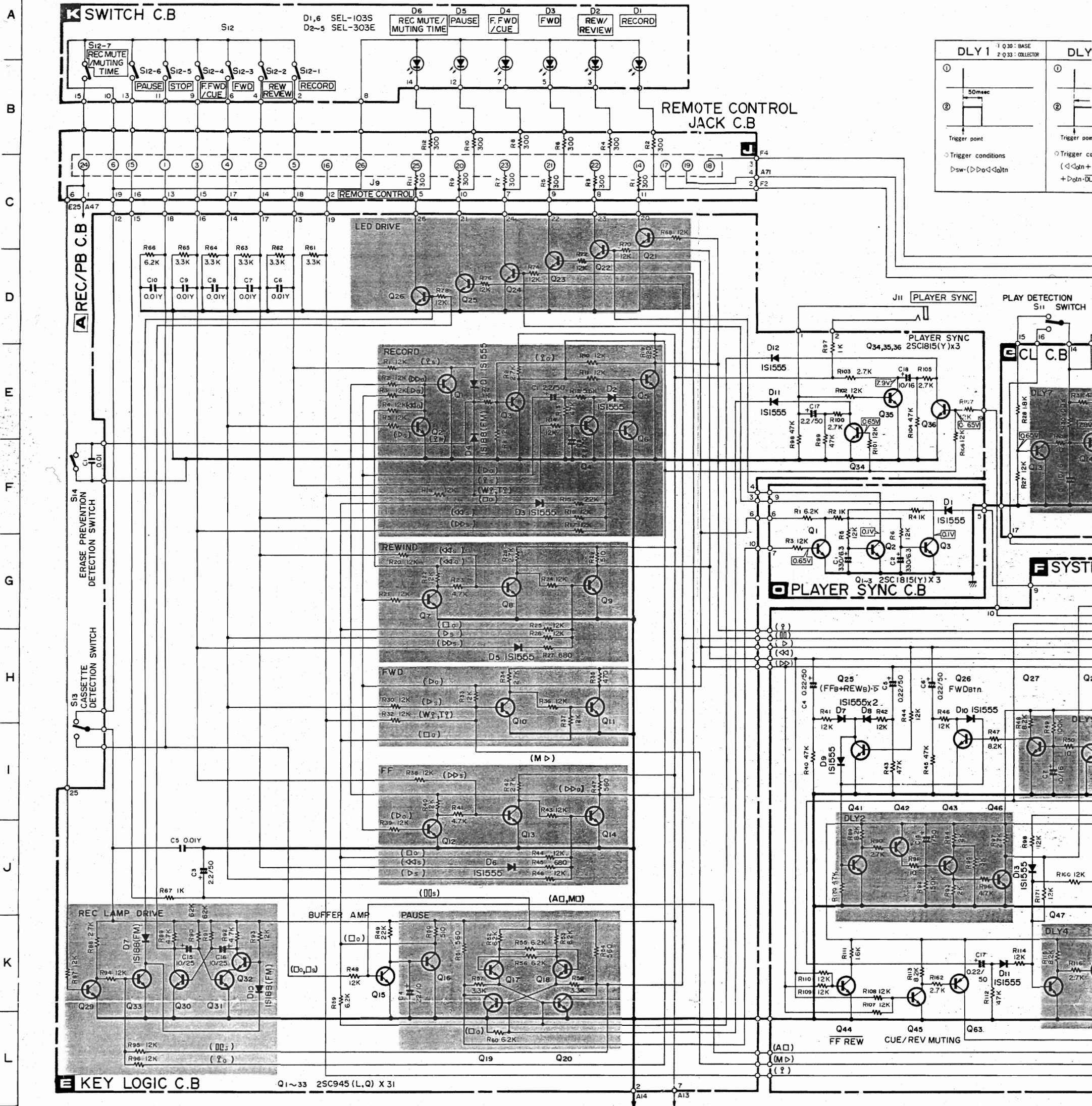


158

12 13 14 15 16 17 18 19 20 21



SCHMATIC DIAGRAM-2



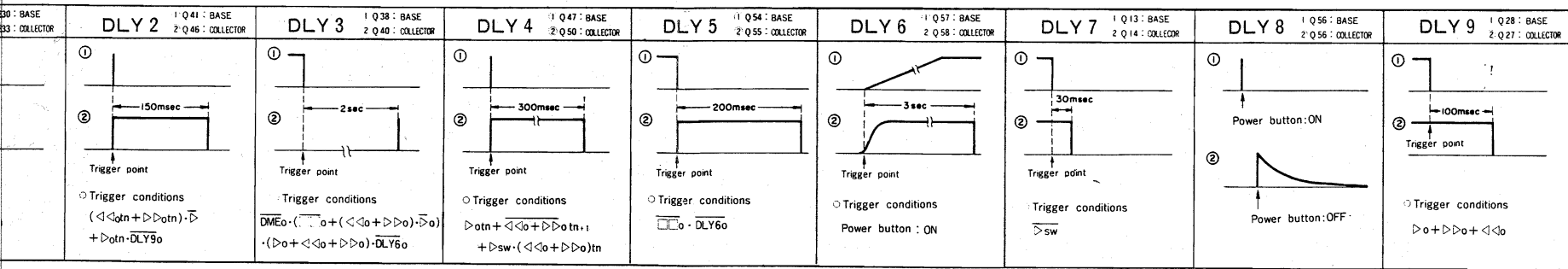
- NOTES:**
- 1) B (+) power supply, B (-) power supply
 - 2) Signal path
 - 3) The voltage is the reference value measured with a tester (20 k-ohms/V DC) when there are no signals. An asterisk (*) indicates that the value was measured with a vacuum-tube voltmeter during recording.
 - 4) Resistors with no designation have a rated power of 1/4W and a tolerance of ±5%.
 - 5) Capacitors with no designation have a dielectric strength of less than 50WV.
 - 6) Ceramic capacitor symbols:
 - SL For temperature compensation (SL)
 - YY High dielectric constant system (YY)
 - YP, YZ High dielectric constant system (YP, YZ)
 - 7) The only capacitor tolerances indicated are ±2% (G), ±5% (J) and ±10% (K).

- 8) Explanation of symbols:
 - (M) Mylar capacitor
 - (S) Styrol capacitor
 - (BP) Bi-Polar Electrolytic capacitor
 - (LL) Low-leakage capacitor
 - (PP) Polypropylene film capacitor
 - (LN) Low-noise resistor
 - ⚠ Symbol is used to indicate that a specific component must be replaced only by the component for safety reasons.
- 9) Switches are set to the following positions

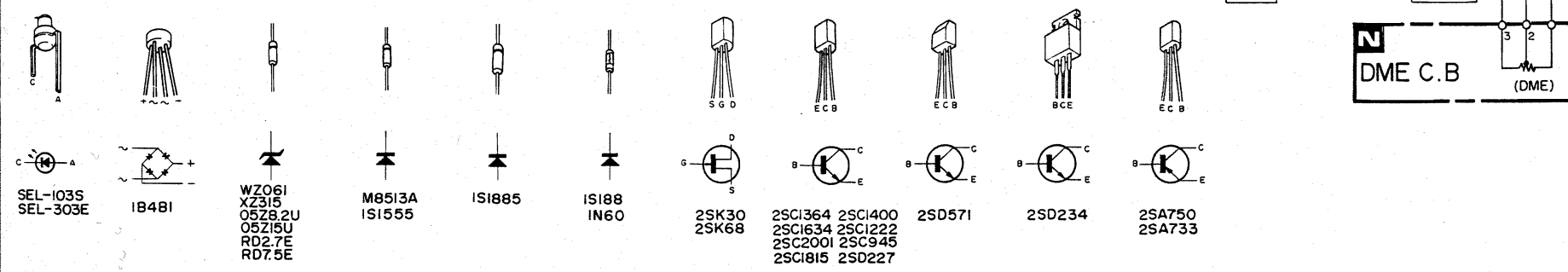
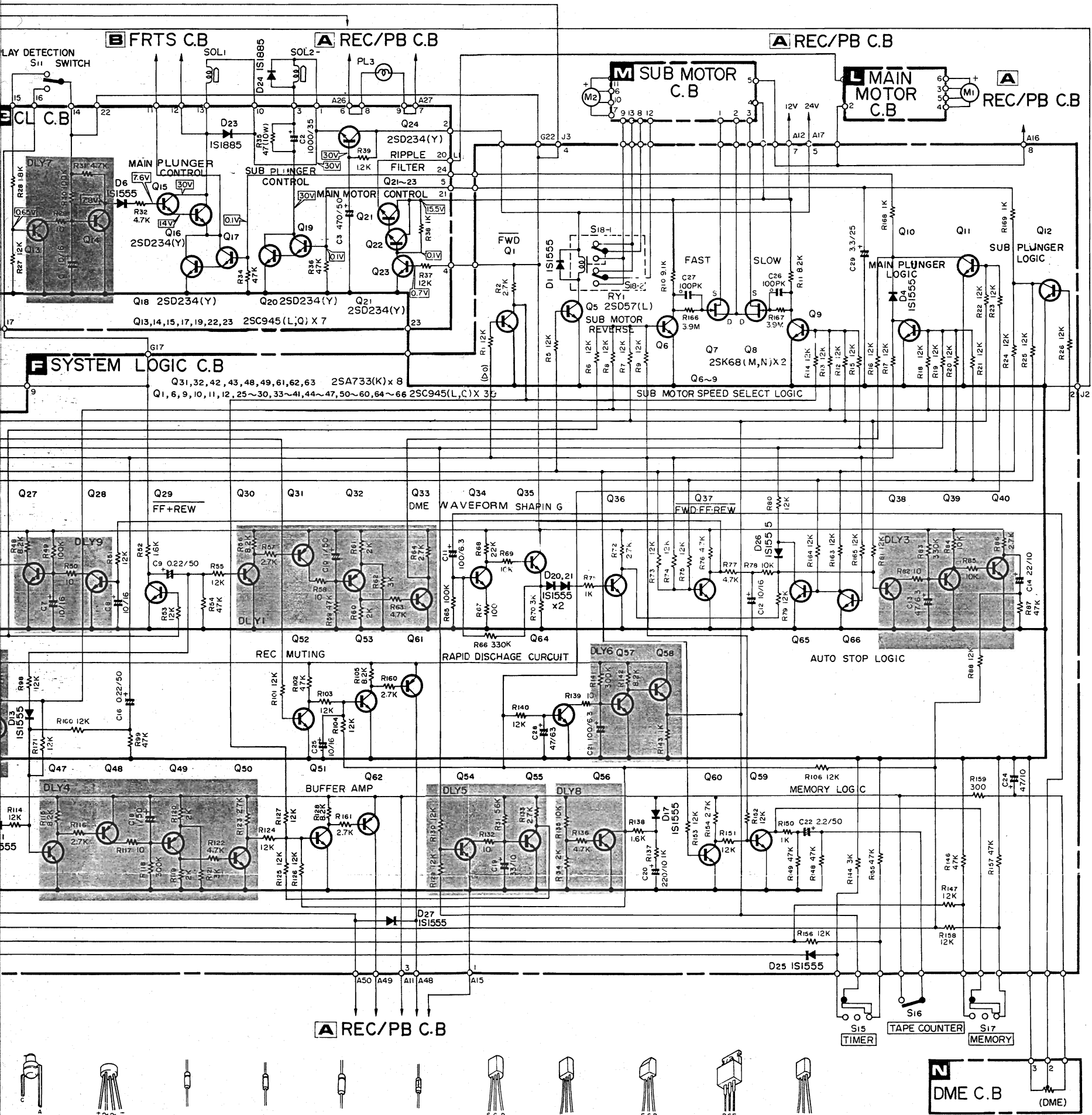
S1-1~4	MONITOR	(SOURCE)
S2-1~4	TEST	(ON)
S3-1~6	DOLBY-NR	(OFF)
S4-1~6	TAPE SELECTOR-BIAS	(LH)
S5-1~4	TAPE SELECTOR-EQ	(LH)
S6	PEAK HOLD	(OFF)
S7	PEAK	(ON)
S8	VU	(ON)

- | | | |
|---------|----------------------------|---------|
| S9 | STOP MUTING | (STOP) |
| S10 | POWER | (OFF) |
| S11 | PLAY DETECTION | |
| S12-1~7 | LOGICAL CONTROL | |
| S13 | CASSETTE DETECTION | |
| S14 | ERASE PREVENTION DETECTION | |
| S15 | TIMER | (PLAY) |
| S16 | TAPE COUNTER | |
| S17 | MEMORY | (STOP) |
| S18 | SUB MOTOR SELECTOR | |
| S19 | DIN MUTING | |
| S20 | DIN OUTPUT LEVEL | (FIXED) |
| S21 | CrO ₂ AUTO | (OFF) |
| S22 | VOLTAGE SELECTOR-1 | (240V) |
| S23 | VOLTAGE SELECTOR-2 | (240V) |
| | (E MODEL) | |

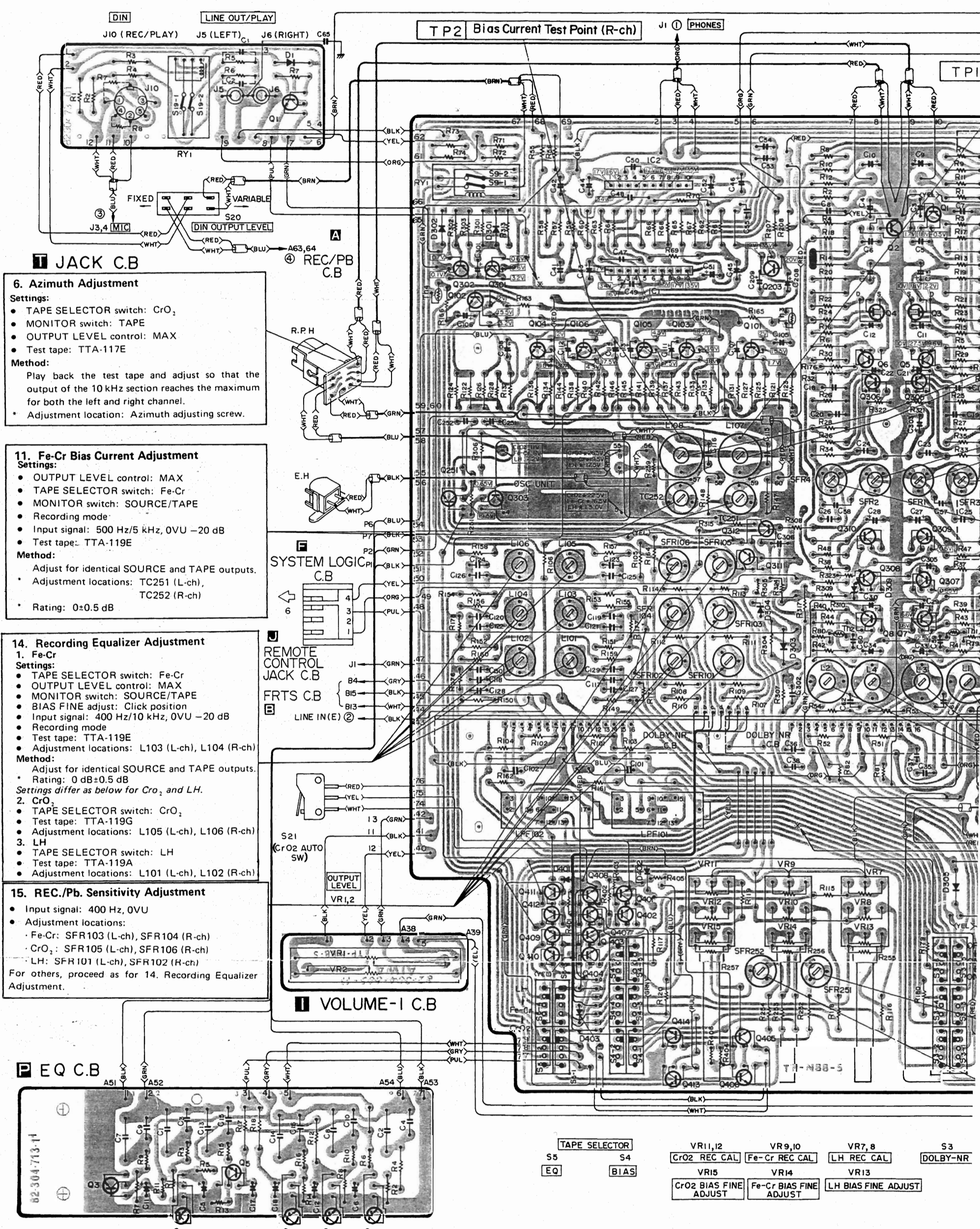
* This schematic diagram is subject to change without notice in the interests of improved performance.



(Symbols: o = output, tn = instant)



WIRING-1



JACK C.B

6. Azimuth Adjustment

Settings:

- TAPE SELECTOR switch: CrO₂
- MONITOR switch: TAPE
- OUTPUT LEVEL control: MAX
- Test tape: TTA-117E

Method:

Play back the test tape and adjust so that the output of the 10 kHz section reaches the maximum for both the left and right channel.

- Adjustment location: Azimuth adjusting screw.

11. Fe-Cr Bias Current Adjustment

Settings:

- OUTPUT LEVEL control: MAX
- TAPE SELECTOR switch: Fe-Cr
- MONITOR switch: SOURCE/TAPE
- Recording mode
- Input signal: 500 Hz/5 kHz, 0VU -20 dB
- Test tape: TTA-119E

Method:

Adjust for identical SOURCE and TAPE outputs.

- Adjustment locations: TC251 (L-ch), TC252 (R-ch)
- Rating: 0±0.5 dB

14. Recording Equalizer Adjustment

1. Fe-Cr

Settings:

- TAPE SELECTOR switch: Fe-Cr
- OUTPUT LEVEL control: MAX
- MONITOR switch: SOURCE/TAPE
- BIAS FINE adjust: Click position
- Input signal: 400 Hz/10 kHz, 0VU -20 dB
- Recording mode
- Test tape: TTA-119E
- Adjustment locations: L103 (L-ch), L104 (R-ch)

Method:

Adjust for identical SOURCE and TAPE outputs.

- Rating: 0 dB±0.5 dB

Settings differ as below for CrO₂ and LH.

2. CrO₂

- TAPE SELECTOR switch: CrO₂
- Test tape: TTA-119G
- Adjustment locations: L105 (L-ch), L106 (R-ch)

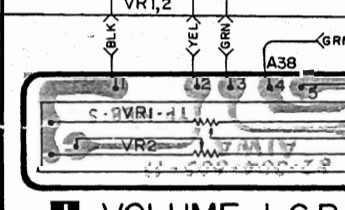
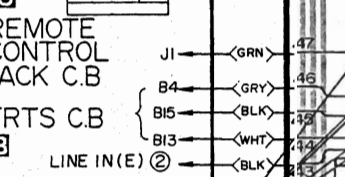
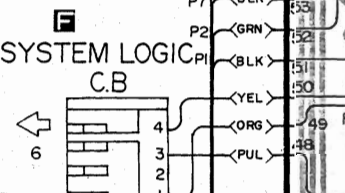
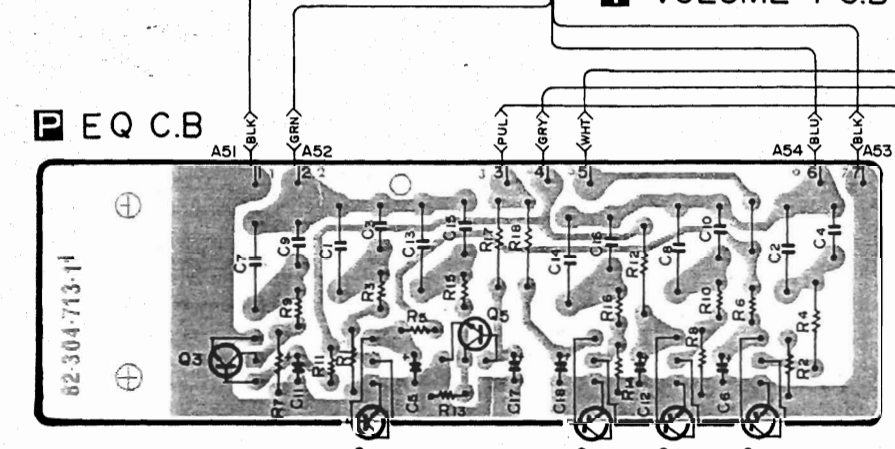
3. LH

- TAPE SELECTOR switch: LH
- Test tape: TTA-119A
- Adjustment locations: L101 (L-ch), L102 (R-ch)

15. REC./Pb. Sensitivity Adjustment

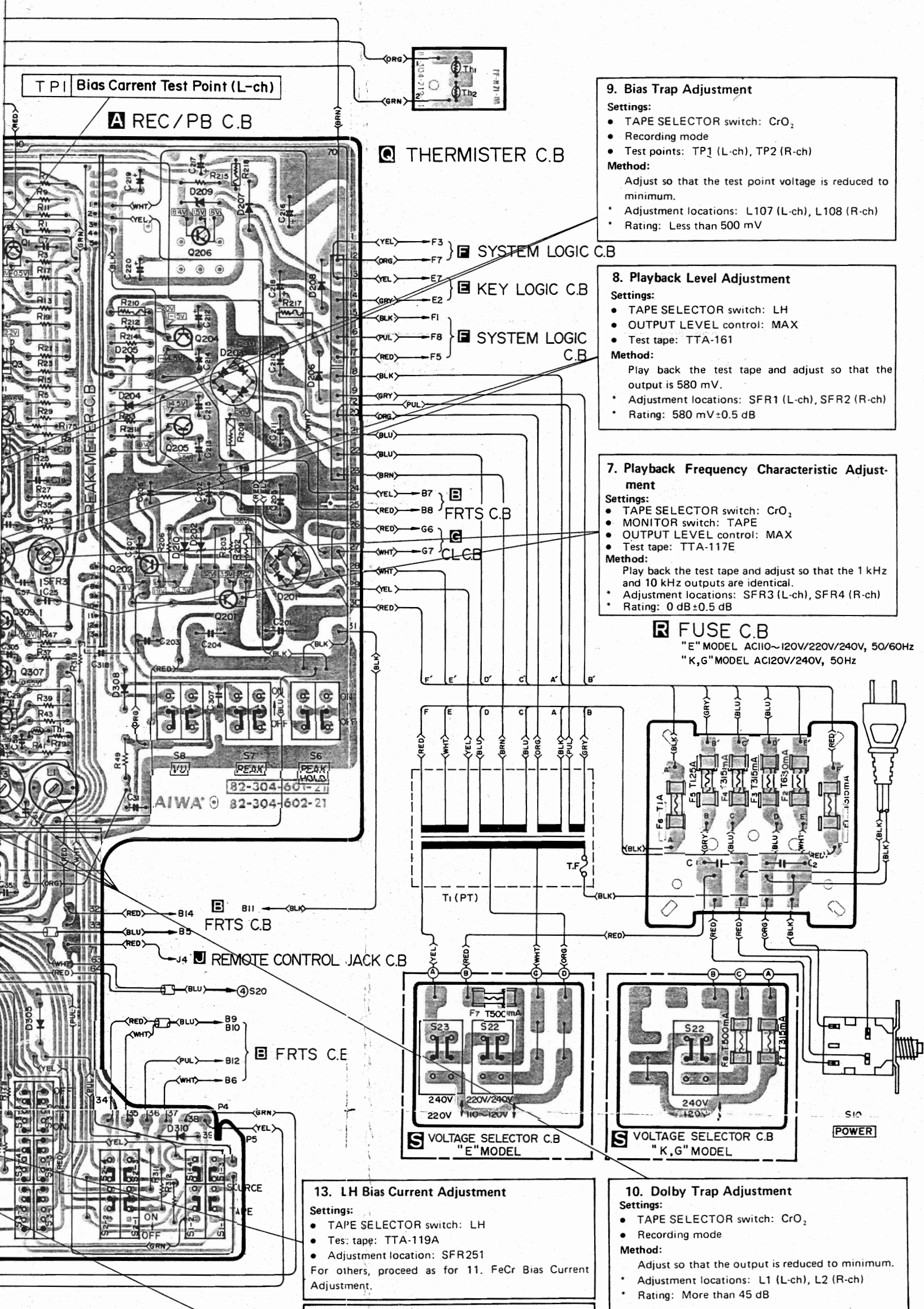
- Input signal: 400 Hz, 0VU
- Adjustment locations:
 - Fe-Cr: SFR103 (L-ch), SFR104 (R-ch)
 - CrO₂: SFR105 (L-ch), SFR106 (R-ch)
 - LH: SFR101 (L-ch), SFR102 (R-ch)

For others, proceed as for 14. Recording Equalizer Adjustment.



TAPE SELECTOR	VR11,12	VR9,10	VR7,8	S3
S5	CrO ₂ REC CAL	Fe-Cr REC CAL	LH REC CAL	DOLBY-NR
EQ	BIAS	VR15	VR14	VR13
	CrO ₂ BIAS FINE ADJUST	Fe-Cr BIAS FINE ADJUST	LH BIAS FINE ADJUST	

NOTES (1) B(+) Pattern Component side pattern Others pattern (2) The voltage is the reference value measured with a tester (20

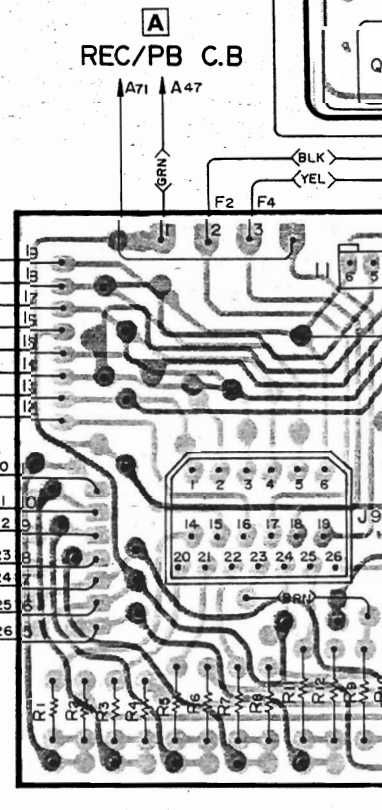
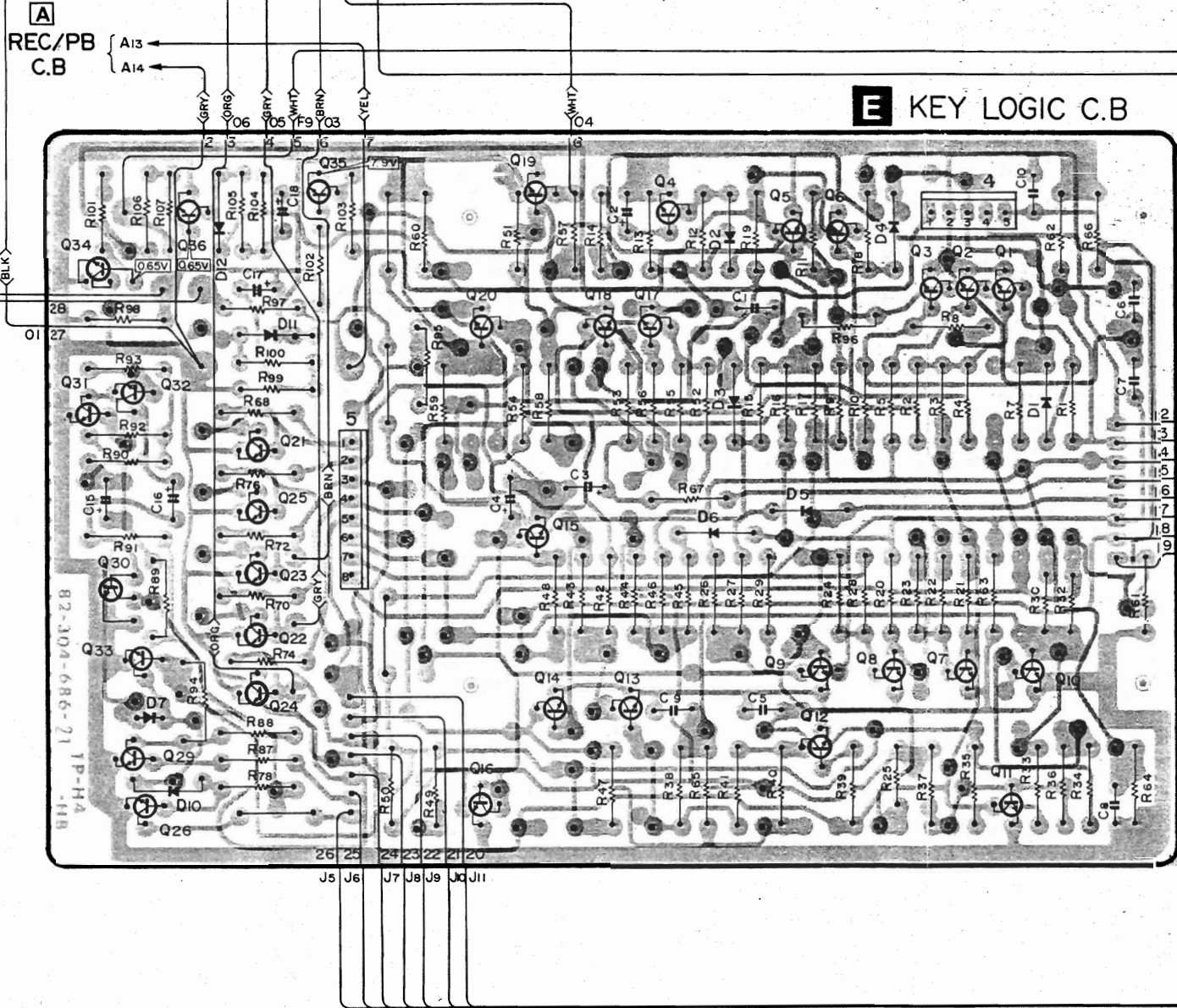
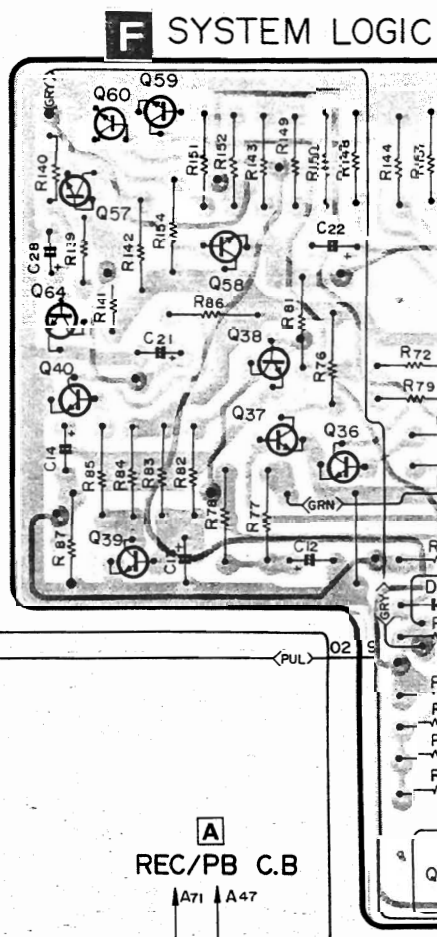
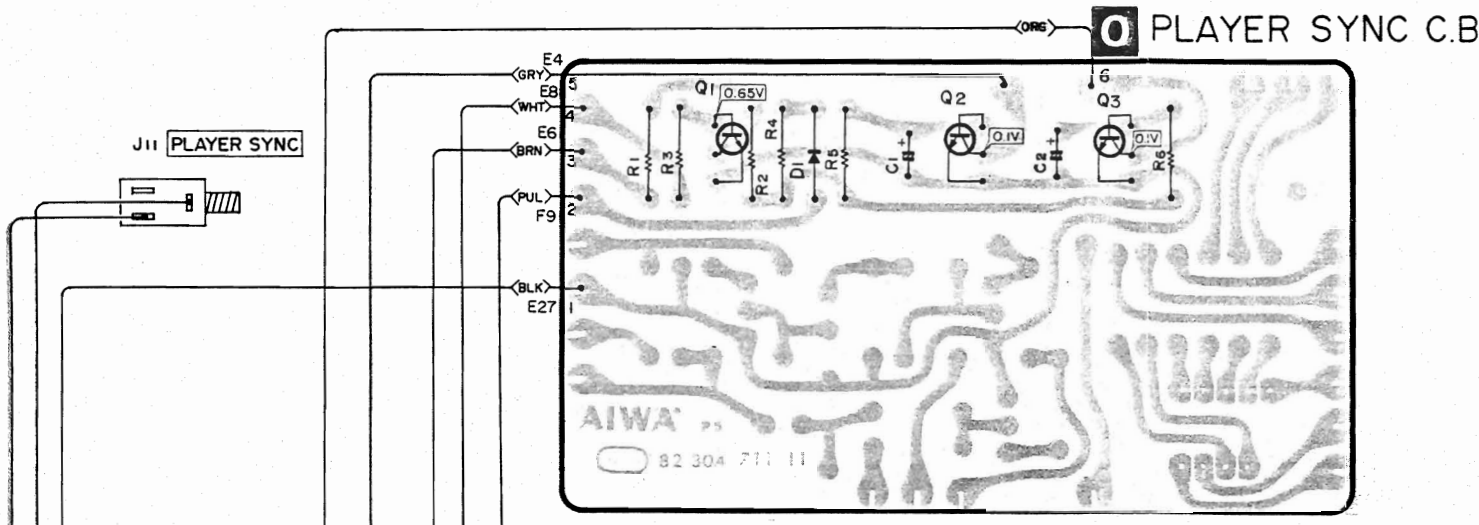


tester (20K ohms/VDC) when there are no signals.

1 2 3 4 5 6 7 8 9 10 11 12

WIRING-3

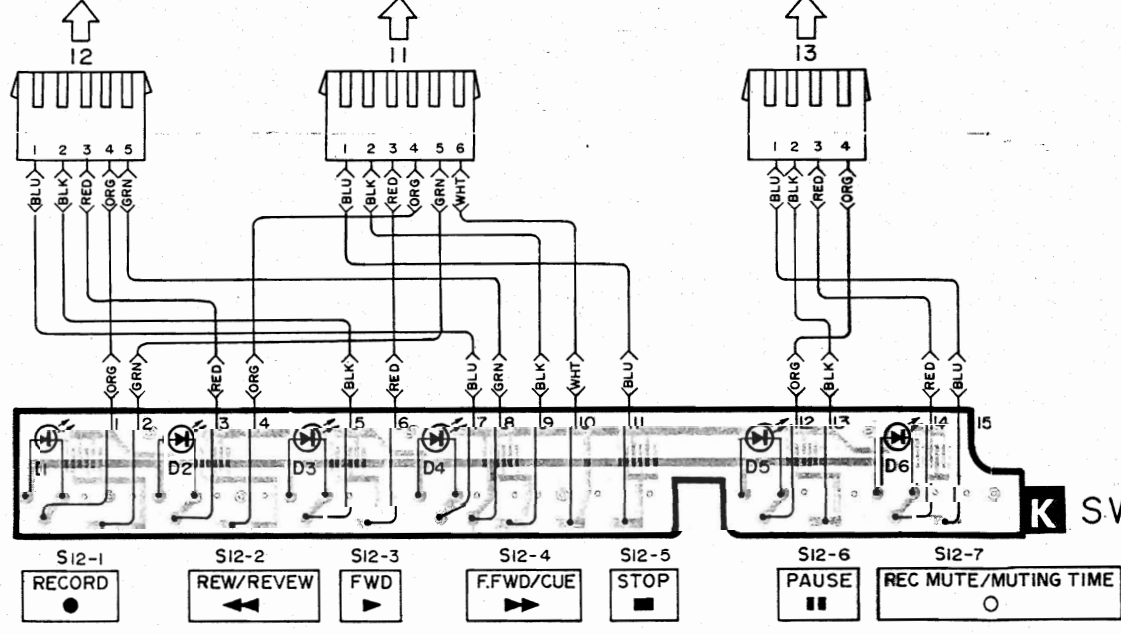
A B C D E F G H I J K L N



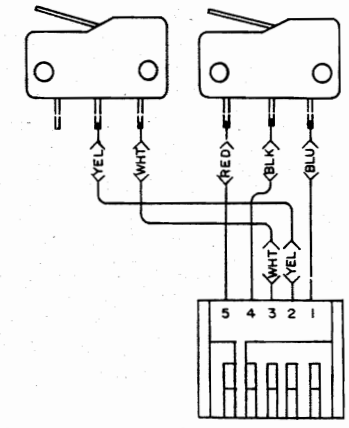
J REMOTE CONTROL JACK C.B.

J REMOTE CONTROL JACK C.B.

J REMOTE CONTROL JACK C.B.

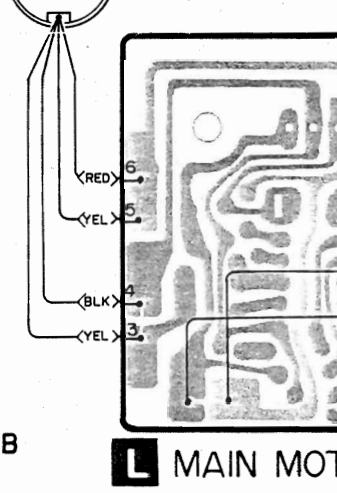


S14 ERASE PREVENTION DETECTION SW



S13 CASSETTE DETECTION SW

M1 MAIN MOTOR

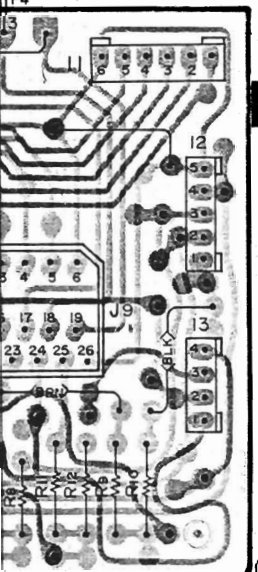
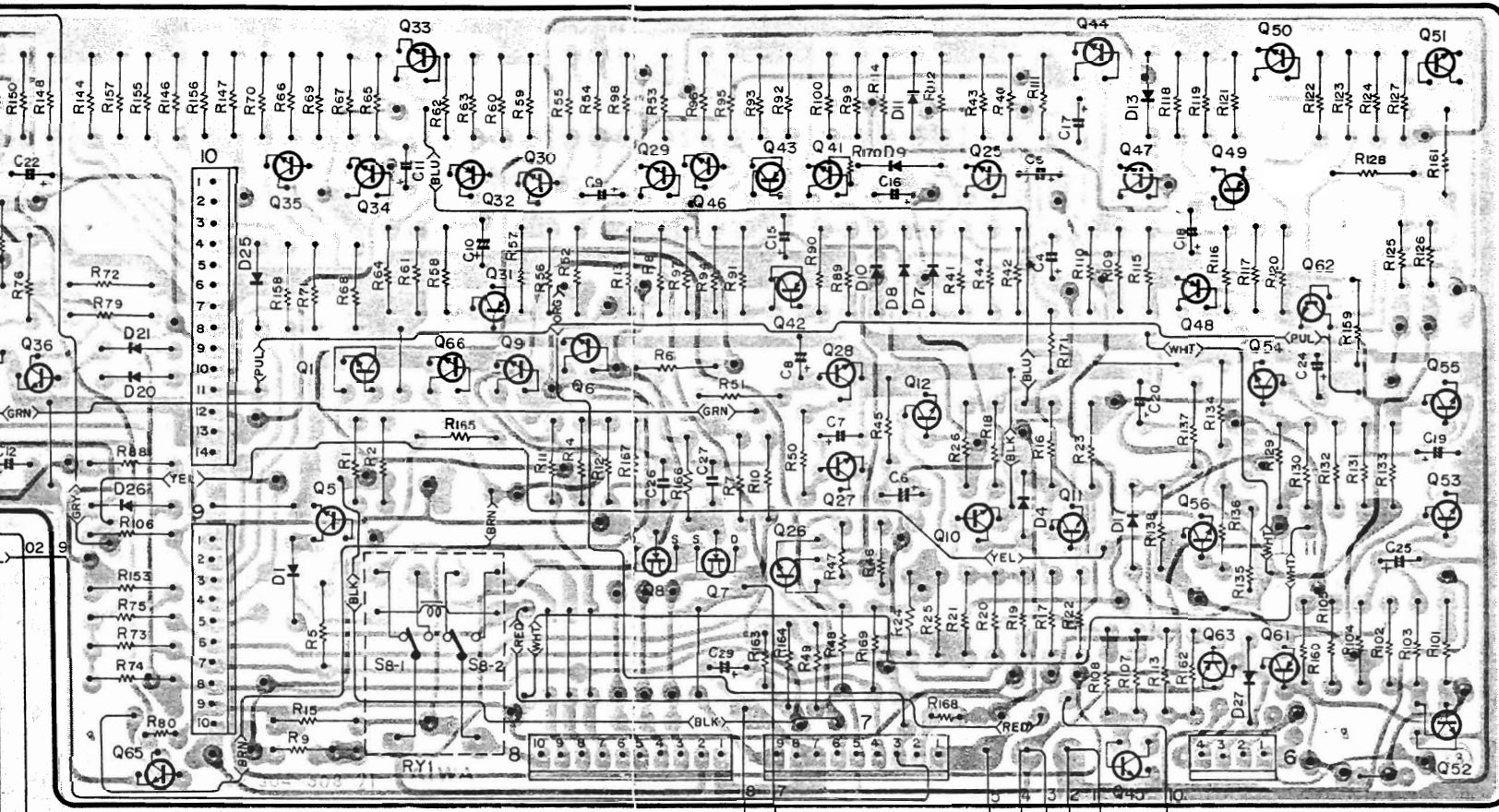


NOTES (1) B(+) Pattern

Component side pattern Others pattern

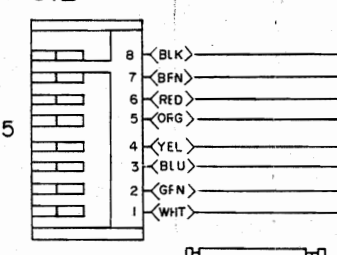
(2) The voltage is the reference value measured with a tester

SYSTEM LOGIC C.B



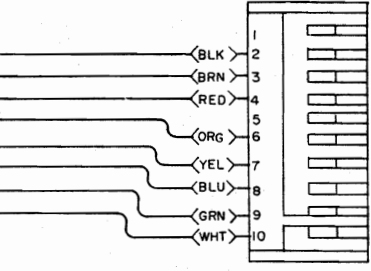
J REMOTE CONTROL JACK C.B

E KEY LOGIC C.B



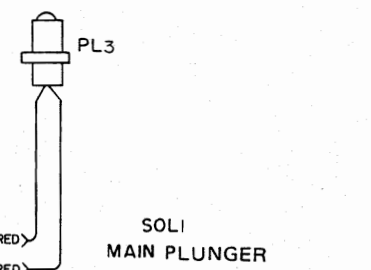
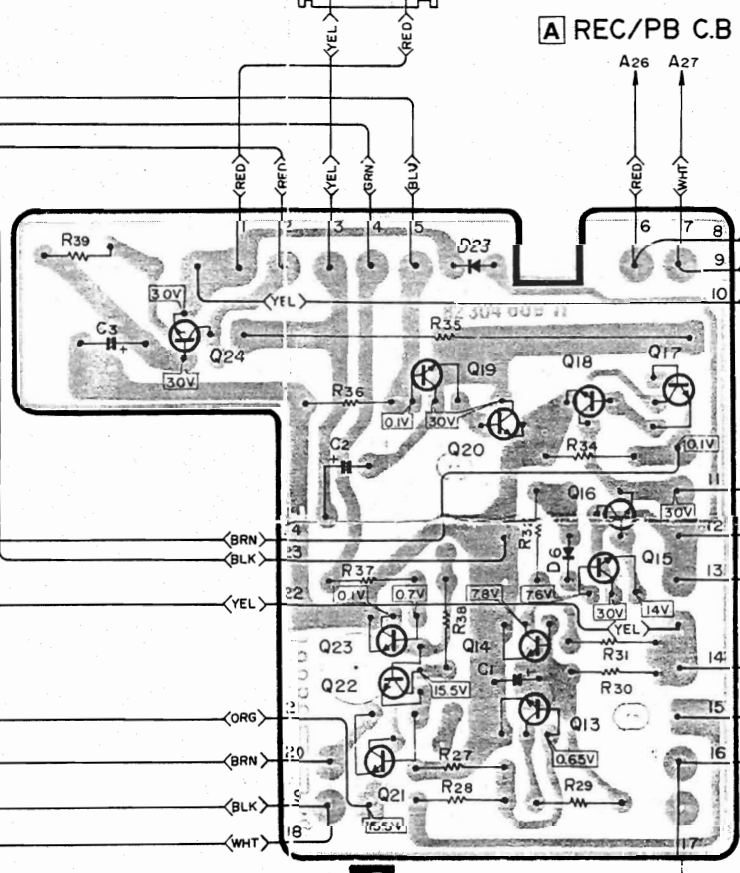
SOL2 SUB PLUNGER

A REC/PB C.B



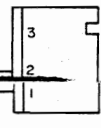
F SYSTEM LOGIC C.B

A REC/PB C.B



SOL1 MAIN PLUNGER

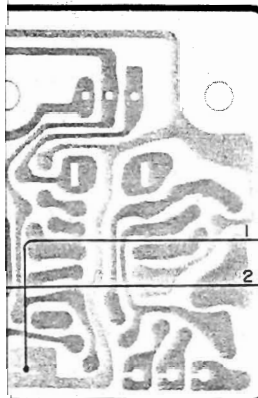
B FRTS C.B



S11 PLAY DETECTION SW

G CL C.B

MAIN MOTOR C.B



with a tester (20K ohms/VDC) when there are no signals.

198

WIRING-2

A
B
C
D
E
F
G
H
I
J
K
L
M
N
O

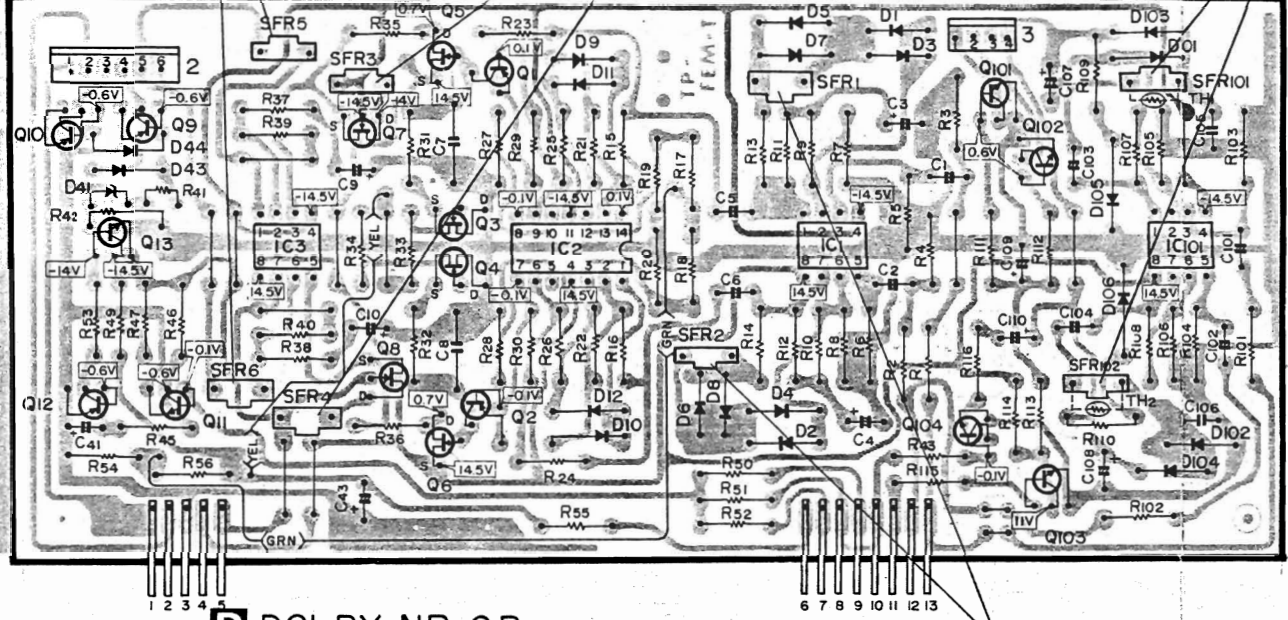
4. Peak Meter Indication Adjustment
Settings:
 • MONITOR switch: SOURCE
 • OUTPUT LEVEL control: MAX
 • Input signal: 400 Hz, 0VU
 • Recording mode
Method:
 Adjust so that peak meter indication is 0 dB.
 • Adjustment locations: SFR5 (L-ch), SFR6 (R-ch)
 • Rating: 0 dB±0.5 dB

3. Peak Meter Offset Adjustment
Settings:
 • PEAK HOLD switch: OFF
 • OUTPUT LEVEL control: MIN
Method:
 Adjust so that peak meter pointer does not deflect with PEAK switch ON/OFF.
 • Adjustment locations: SFR3 (L-ch), SFR4 (R-ch)

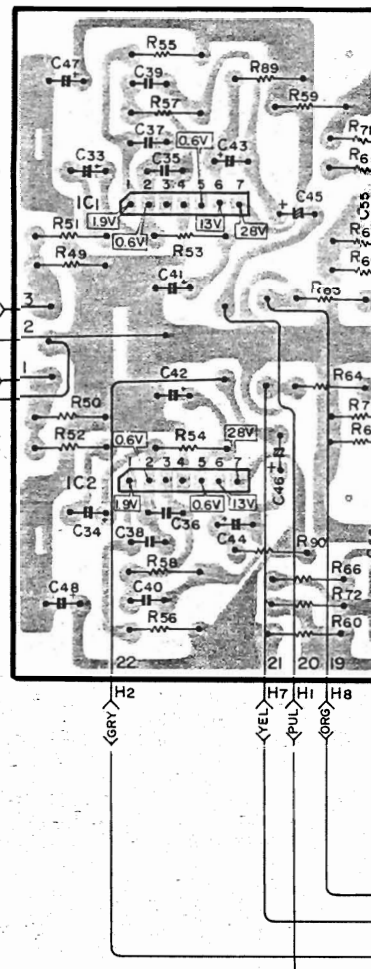
2. VU Meter Indication Adjustment
Settings:
 • MONITOR switch: SOURCE
 • OUTPUT LEVEL control: MAX
 • Input signal: 400 Hz -16 dB (1V = 0 dB)
 • Recording mode
Method:
 Rotate LINE RECORD LEVEL for an output of 410mV.
 Adjust so that VU meter indication is 0VU.
 • Adjustment locations: SFR101 (L-ch), SFR102 (R-ch)
 • Rating: 0VU±0.5 dB

1. Mixing Amp. Balance Adjustment
Settings:
 • MONITOR switch: SOURCE
 • OUTPUT LEVEL control: MAX
 • Input signal: 400 Hz, 0VU
 • Recording mode
Method:
 Adjust so that output is same for left and right channels.
 • Adjustment location: SFR4
 • Rating: Within 0.5 dB

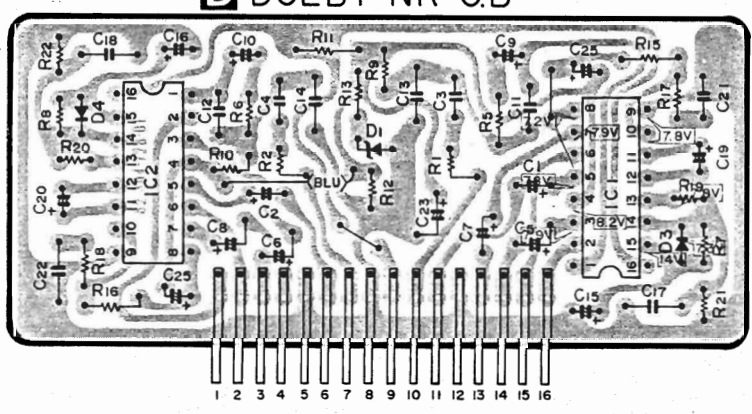
C PEAK METER C.B



B FRTS C.B

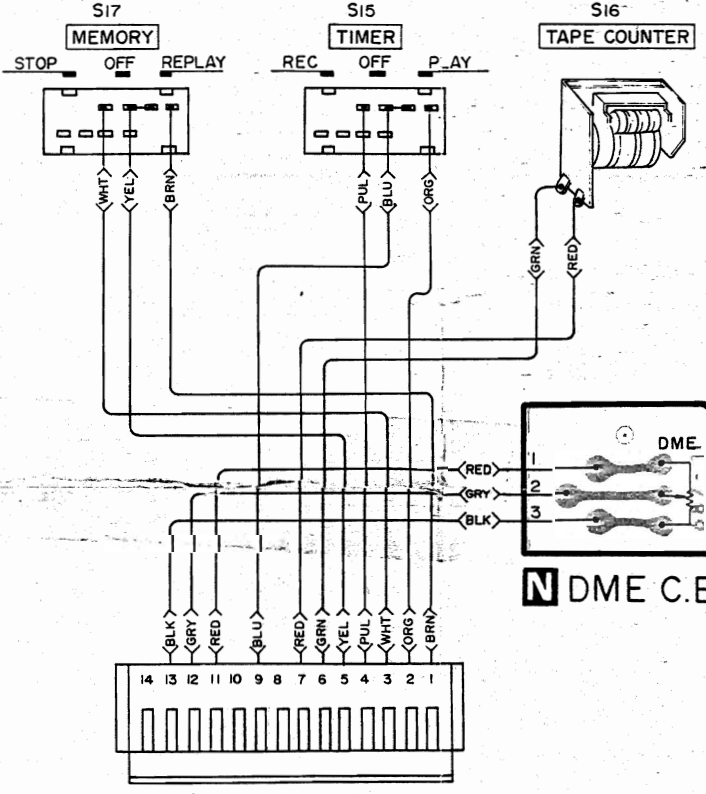
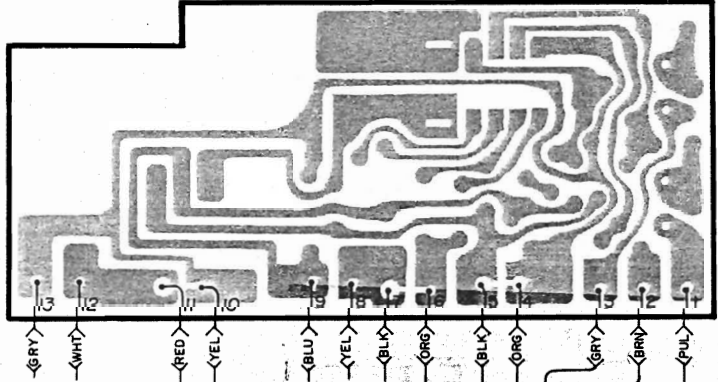


D DOLBY-NR C.B

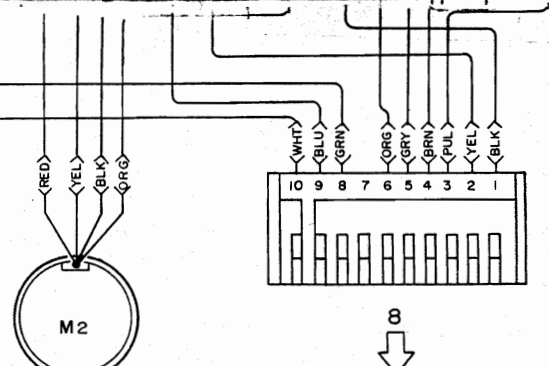
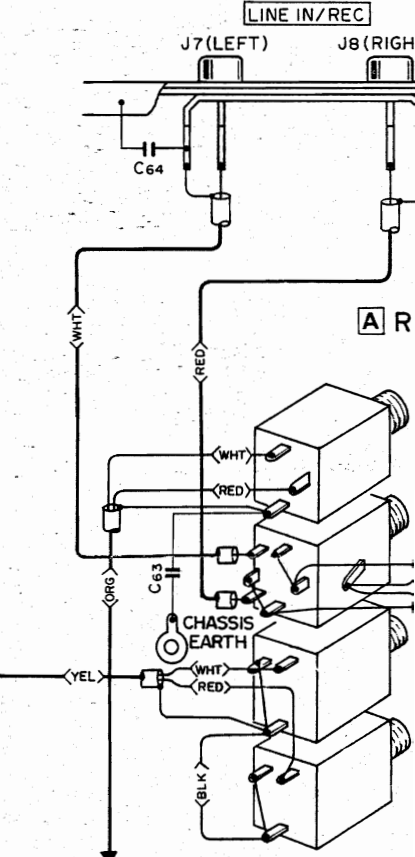


5. Peak Meter Log. Amp. Adjustment
Settings:
 • MONITOR switch: SOURCE
 • OUTPUT LEVEL control: MAX
 • Input signal: 400 Hz, 0VU
 • Recording mode
Method:
 Adjust for a peak meter indication of -30 dB when the input is reduced by 17 dB.
 • Adjustment locations: SFR1 (L-ch), SFR2 (R-ch)
 • Rating: -30 dB±1 dB

M SUB MOTOR C.B



N DME C.B



F SYSTEM LOGIC C.B

F SYSTEM LOGIC C.B

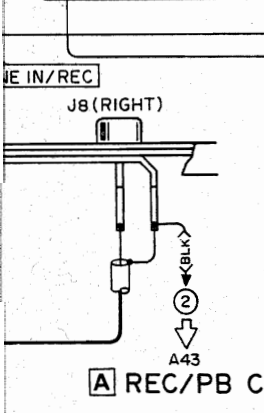
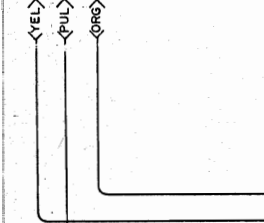
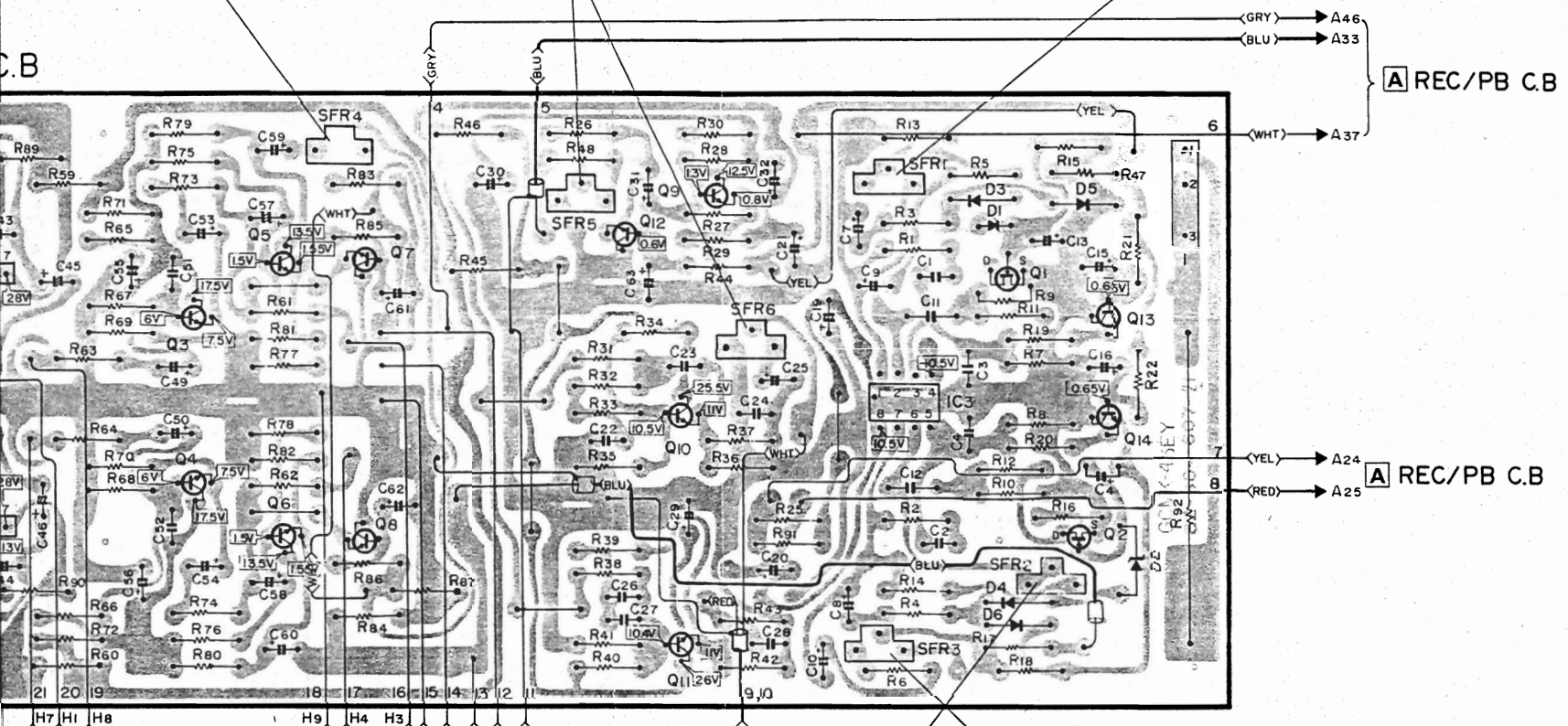
A REC/PB C.B

NOTES (1) B(+) Pattern B(-) Pattern Others pattern (2) The voltage is the reference value measured with a test

Balance Adjustment
 SOURCE
 control: MAX
 Hz, 0VU
 output is same for both left
 s.
 on: SFR4
 5 dB

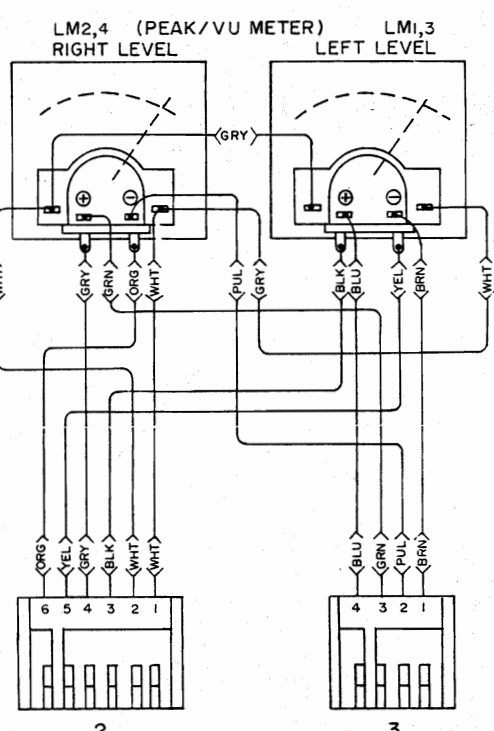
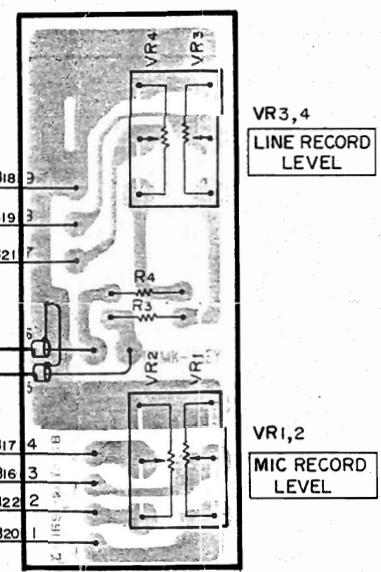
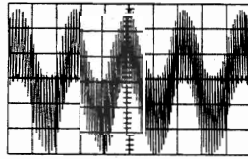
19. FRTS Adjustment
Settings:
 • Recording mode
 • OUTPUT LEVEL control: MAX
 • Input signal: 400 Hz/8 kHz, 0VU -20 dB
 • Test tape: TTA-119E
Method:
 Using the test tape, check the frequency response of the 400 Hz and 8 kHz input signals, and adjust so that right channel meter indication is 0VU when the TEST switch is set to ON.
 Now adjust as follows for the left channel meter.
 0 dB : 0VU
 -1 dB : +1VU
 +1 dB : -1VU
 Adjustment locations: SFR5 (L-ch), SFR6 (R-ch)

16. 400 Hz Osc Adjustment
Settings:
 • Recording mode
 • OUTPUT LEVEL control: MAX
 • TEST switch: ON
Method:
 Adjust so that waveforms appear on the oscilloscope.
 Connect the oscilloscope to the right channel.
 Adjustment location: SFR1



17. 8 kHz Osc Adjustment
 Adjustment location: SFR2
 For others, proceed as for 16. 400 Hz Osc Adjustment.

18. 400 Hz/8 kHz Balance Adjustment
Settings:
 • Recording mode
 • OUTPUT LEVEL control: MAX
 • TEST switch: ON
Method:
 Adjust so that the arrows of the oscillation waveforms appear on the same lines.
 Adjustment location: SFR3



H VOLUME-2 C.B

C PEAK METER C.B C

red with a tester (20K ohms/DVC) when there are no signals.

Ref. No.	Part No.	Part No. Changed to	Description	Common Model	Q'ty
4-1	82-303-285-01		Guide, Cassette R		1
4-2	82-303-347-01		Lever, Cassette pressure		1
4-3	82-303-355-01		Spring, Cassette pressure		1
4-4	82-303-348-01		Holder, Cassette pressure		1
4-5	82-303-289-01		Guide, Cassette L		1
4-6	82-303-346-01		Lever, Rec.-blocking		1
4-7	82-303-354-01		Spring, Rec.-blocking		1
4-8	82-303-350-01		Holder, Rec.-blocking		1
4-9	82-303-286-01		Lever, Brake		1
4-10	82-304-286-01		Flange collar B		2
4-11	82-304-238-01		Slide lever, Cassette pressure	*	1
4-12	82-481-311-01		Spring, Plunger		1
4-13	82-304-233-01		Holder, Plunger	*	1
4-14	82-304-244-01		Shaft, Play lever	*	1
4-15	82-304-248-01		Spring, Plunger	*	1
4-16	82-304-232-01		Lever, PLAY	*	1
4-17	82-304-243-01		Shaft B, Plunger	*	1
4-18	82-304-234-01		Slide plate, PLAY	*	1
4-19	82-304-249-01		Spring, Actuating	*	1
4-20	82-304-242-01		Shaft A, Plunger	*	1
4-21	82-304-283-01		Cushion, Plunger	*	1
4-22	82-304-307-01		Screw, Plunger	*	2
4-23	82-303-300-01		FR motor pulley		1
4-24	87-085-135-01		Bushing 3-4-5		3
4-25	87-087-029-01		Rubber cushion		3
4-26	82-303-340-01		Shaft bearing ass'y		1
4-27	82-304-701-01		Spacer, Insulation	*	1
4-28	82-303-259-01		Holder, Motor circuit board		1
4-29	82-304-260-01		Guide, Lock plate	*	1
4-30	82-303-233-01		Mechanism chassis sub ass'y		1
4-31	82-303-360-01		Supply reel platform ass'y		1
4-32	82-303-358-01		Shaft bearing ass'y		1
4-33	82-303-322-01		Spring, FR idler		1
4-34	82-303-271-01		FR idler pulley ass'y		1
4-35	82-303-335-01		Felt 6.4-14		1
4-36	82-303-352-01		Spring, FR lever		1
4-37	82-303-277-01		FR lever ass'y		1
4-38	82-303-292-01		FR eject lever		1
4-39	82-304-247-01		Rubber belt, Counter	*	1
4-40	82-392-352-01		Cap, Take-up reel platform	AD-6550	1
4-41	82-303-249-01		Take-up reel platform ass'y		1
4-42	82-303-309-01		Rubber, Main drive		1
4-43	82-303-330-01		Slip pulley ass'y		1
4-44	82-303-385-01		Rubber belt B, FR		1
4-45	82-439-426-01		Brake shoe A		2
4-46	82-303-318-01		Spring, Brake		1
4-47	82-303-297-01		Slide plate, Brake		1
4-48	87-038-039-01		Wire binder		1
4-49	82-303-314-01		Nut 2.6		2
4-50	82-303-291-01		Plate, Flywheel		1
4-51	82-385-311-01		Screw for thrust	AD-6300	1
4-52	82-303-246-01		Flywheel ass'y		1
4-53	82-303-310-01		Rubber belt, Flywheel		1
4-54	82-303-224-01		Spring, Flywheel		1
4-55	82-392-256-01		Shaft bearing ass'y	AD-6550	1
4-56	82-304-251-01		Spring, Lock lever	*	1
4-57	82-304-221-01		Lock lever ass'y	*	1
4-58	82-397-354-01		Drum wheel C ass'y	AD-6550	1
4-59	82-304-312-01		Idler oil E ass'y	*	1
4-60	82-304-250-01		Spring, Oil	*	1
4-61	82-303-356-01		Spring, CrO ₂		1
4-62	82-303-351-01		Holder, CrO ₂		1
4-63	82-303-349-01		Lever, CrO ₂		1

Ref. No.	Part No.	Description	Q'ty
1-101	87-257-169-11	U + 4-6(Black)	6
1-102	87-233-072-01	Q + 2.6-5	6
1-103	87-081-480-01	VTT + 2.6-5	8

Ref. No.	Part No.	Description	Q'ty
1-104	87-081-504-01	VTT + 2.6-10	2
1-105	87-081-481-01	VTT + 3-5	4
1-106	87-347-094-01	UT ₂ + 3-6(Black)	1

Ref. No.	Part No.	Description	Q'ty
2-101	87-261-072-21	V + 2.6-5	3
2-102	87-261-093-21	V + 3-5	2
2-103	87-253-034-01	U + 2-5	1
2-104	87-251-072-21	U + 2.6-5	21
2-105	87-257-073-01	U + 2.6-6(Black)	3
2-106	87-491-074-01	VWS + 2.6-8	4
2-107	87-233-033-01	Q + 2-4	4
2-108	87-233-034-01	Q + 2-5	2
2-109	87-081-480-01	Q + 2.6-5	2
2-110	87-231-094-21	Q + 3-6	10
2-111	87-342-033-01	UT ₂ + 2-4(Black)	2
2-112	87-081-480-01	VTT + 2.6-5	15

Ref. No.	Part No.	Description	Q'ty
2-113	87-510-074-01	VTT ₂ + 2.6-8	5
2-114	87-081-522-01	QTT + 2.6-6	4
2-115	87-540-073-01	Special screw + 2.6-6	6
2-116	87-410-326-01	W4-10-1	1
2-117	87-081-015-01	FW3-8-0.5	1
2-118	87-432-907-01	WTE4.5	1
2-119	87-433-906-01	WTE4-9	1
2-120	87-391-034-01	N-4	1
2-121	87-081-481-01	VTT + 3-5	1
2-122	87-261-101-01	V + 3-18	2
2-123	87-251-094-21	U + 3-6	2

Ref. No.	Part No.	Description	Q'ty
3-101	87-253-035-01	V + 2-6	2
3-102	87-253-033-01	U + 2-4	3
3-103	87-253-035-01	U + 2-6	1
3-104	87-251-036-21	U + 2-8	4
3-105	87-251-072-21	U + 2.6-5	2
3-106	87-233-072-01	Q + 2.6-5	2
3-107	87-231-075-21	Q + 2.6-10	1
3-108	87-081-480-01	VTT + 2.6-5	10
3-109	87-081-501-01	VTT + 2.6-6	2
3-110	87-322-035-21	QT ₂ + 2-6	4

Ref. No.	Part No.	Description	Q'ty
3-111	87-410-304-01	W2-6-0.3	2
3-112	87-081-808-01	PW1.7-3.5-0.25	1
3-113	87-081-036-01	TW2-5-0.2	1
3-114	87-371-033-01	SS2-4	2
3-115	87-441-003-01	STE1.5	2
3-116	87-441-009-01	STE3	1
3-117	87-441-006-01	STE2.3	3
3-118	87-391-006-01	N-2	2
3-119	87-237-072-01	Q + 2.6-5(Black)	1

Ref. No.	Part No.	Description	Q'ty
4-101	87-251-036-21	V + 2-8	2
4-102	87-261-072-21	V + 2.6-5	4
4-103	87-171-074-21	V + 2.6-8	3
4-104	87-251-037-21	U + 2-10	1
4-105	87-251-071-21	U + 2.6-4	2
4-106	87-480-072-01	VS + 2.6-5	3
4-107	87-480-094-01	VS + 3-6	5
4-108	87-081-480-01	VTT + 2.6-5	15
4-109	87-081-501-01	VTT + 2.6-6	3
4-110	87-081-502-01	VTT + 2.6-8	4
4-111	82-303-328-01	W2-9.8-0.3	1
4-112	87-410-216-01	W3-8-0.8	3

Ref. No.	Part No.	Description	Q'ty
4-113	87-410-318-01	W3-13-0.8	1
4-114	87-081-031-01	FW3-8-0.5	2
4-115	87-081-808-01	PW1.7-3.5-0.25	4
4-116	82-416-358-01	PW6-2.5-0.5	1
4-117	87-081-036-01	TW2-5-0.2	4
4-118	87-081-319-01	TW2.3-8-0.2	1
4-119	87-081-031-01	TW3-8-0.3	1
4-120	87-371-033-01	SS2-4	1
4-121	87-441-005-01	STE2	2
4-122	87-441-006-01	STE2.3	6
4-123	87-441-009-01	STE3	2
4-124	87-251-036-21	U + 2-8	2

ACCESSORIES/PACKAGE

Ref. No.	Part No.	Part No. Changed to	Description	Common Model	Q'ty
1	82-304-854-01		Printed indiv., Packing	*	1
2	82-304-852-01		Cushion L, Printed indiv.	*	1
3	82-304-853-01		Cushion R, Printed indiv.	*	1
4	87-051-135-01		Poly-vinyl sack (for AC power cord)		1
5	87-056-564-01		Curly stopper		2
6	87-056-607-01		Poly-vinyl sack (for case)		1
7	82-304-905-01		Instructions booklet (E model only)	*	1
8	82-304-906-01		Instructions booklet (K model only)	*	1
9	82-304-907-01		Instructions booklet (G model only)	*	1
10	87-051-175-01		Poly-tube A		1
11	87-056-008-01		Label AC power cord (K model only)		1
12	87-056-009-01		Distributors list		1
13	87-056-014-01		Tag, Main voltage (K model only)		1
14	87-056-032-01		Guarantee card (G model only)		1
15	80-291-645-01		Tape cassette, DMC-130A		1
16	82-304-951-01		Driver	*	1
17	86-925-006-01		Connection cord CW-115KS (E, K model only)		1
18	86-944-619-01		Connection cord CW-129KS (G model only)		2
19	87-058-023-01		Cord binder		1
20	87-058-024-01		Head cleaning pole ass'y		1